



EMERGENCY BACKUP FOR BYPASS TUBES

DESCRIPTION

An emergency backup battery for select EiKO ballast bypass tubes.

FEATURES

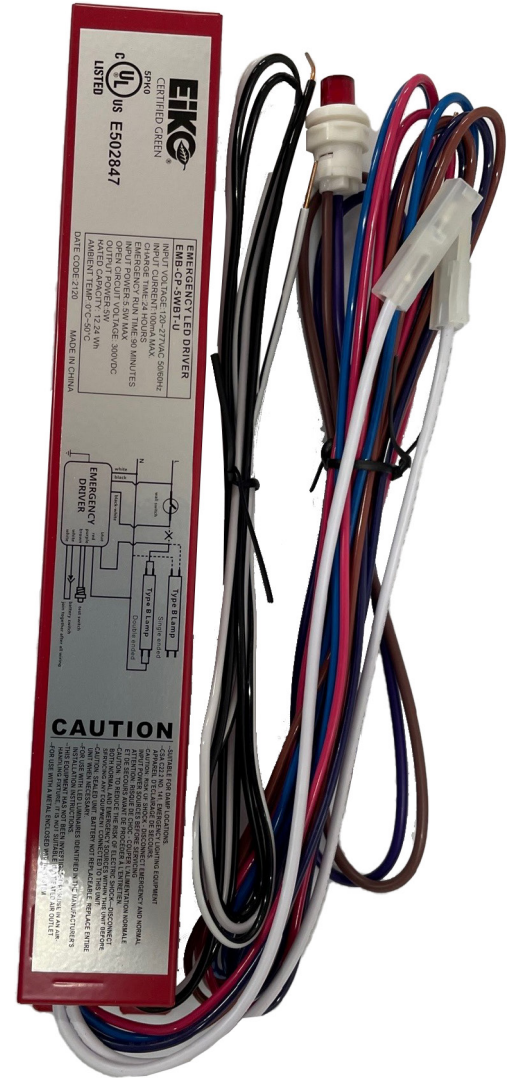
- Provides emergency backup power to a single bypass tube for 90 minutes at 5 watts
- Functions with EiKO single- and double-ended bypass tubes

WARRANTY

- 5 year limited warranty; see eiko.com for warranty details

APPLICATIONS

- Emergency backup

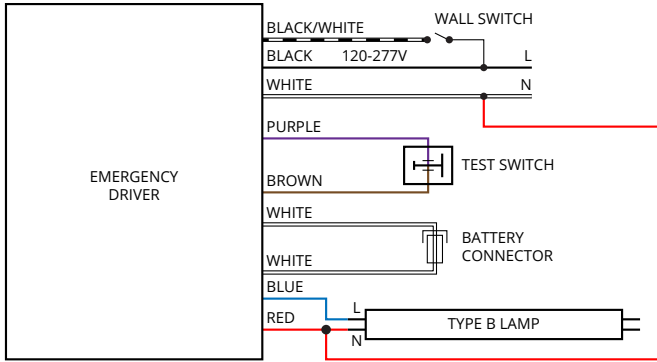


INPUT	Input Voltage	120-277VAC
	Frequency Range	50/60Hz
	Max. Power	5W
	Max. Standby Power	1.8W
OUTPUT	Output Power	5W
	Emergency Time	90 min @ 5W
	Output Open Protection	Yes
	Overpower Protection	Yes
OTHER INFORMATION	Compatibility	Bypass Tubes (Single Tube Not Exceed 50W)
	Operation Temperature	32°F to 122°F (0°C to 50°C)
	Battery Type	Lithium Ion
	Battery Capacity	850mAh 14.8V
	Charge Current	160mA
	Recharge Time	Min. 24 hrs.
	Certification	cULus Listed; Title 20; - Battery temperature must not exceed 122°F (50°C)

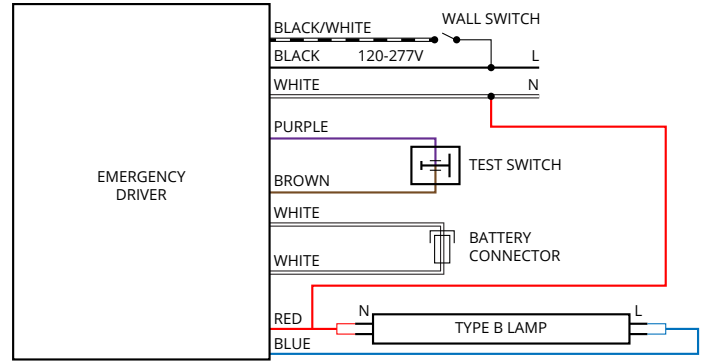
PERFORMANCE SUMMARY

Order Code	Item #	Input Voltage	Frequency Range	Output Power	Max Standby Power	Emergency Time	Recharge Time
10361	EMB-CP-5WBT-U	120-277V	50/60Hz	5W	1.8W	90 min @ 5W	≤24 hrs

WIRING DIAGRAM



Single Ended Operation

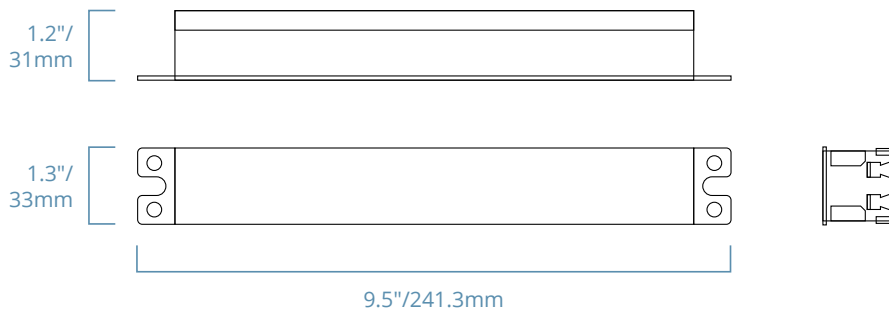


Double Ended Operation

COMPATIBILITY

Item	lm Output on Backup	Item	lm Output on Backup	Item	lm Output on Backup
LED9WT8/24/840-DBL-G7D	640	LED11.5WT8/48/840-PET-G7D	780	LED14WT8/P/48/835-G8D	605
LED9WT8/24/850-DBL-G7D	640	LED11.5WT8/48/850-G7D	780	LED14WT8/P/48/840-G8D	640
LED9WT8/P/24/835-G7D	610	LED11.5WT8/48/850-PET-G7D	780	LED14WT8/P/48/850-G8D	640
LED9WT8/P/24/840-G7D	640	LED12WT8/36/835-DBL-G7D	580	LED15WT8/48/835-DBL-G8D	700
LED9WT8/P/24/850-G7D	640	LED12WT8/36/840-DBL-G7D	600	LED15WT8/48/840-DBL-G8D	730
LED9WT8F/24/835K-G7D	610	LED12WT8/36/850-DBL-G7D	600	LED15WT8/48/850-DBL-G8D	730
LED9WT8F/24/840K-G7D	635	LED12WT8/48/835-DBL-G8D	705	LED15WT8F/48/835K-G7D	565
LED9WT8F/24/850K-G7D	635	LED12WT8/48/840-DBL-G8D	750	LED15WT8F/48/840K-G7D	600
L9.5WT8/48/BSD/830/G	780	LED12WT8/48/850-DBL-G8D	750	LED15WT8F/48/850K-G7D	600
L9.5WT8/48/BSD/835/G	780	LED12WT8/48/835-DBL-A	705	LED15WT8/48/835-DBL-A	565
L9.5WT8/48/BSD/840/G	780	LED12WT8/48/840-DBL-A	750	LED15WT8/48/840-DBL-A	600
L9.5WT8/48/BSD/845/G	780	LED12WT8/48/850-DBL-A	750	LED15WT8/48/850-DBL-A	600
LED10.5WT8/48/835-DBL-G8D	785	LED12WT8/PRM/48/835-G7D	710	LED17WT8/P/48/835-G8D	615
LED10.5WT8/48/840-DBL-G8D	785	LED12WT8/PRM/48/840-G7D	750	LED17WT8/P/48/840-G8D	645
LED10.5WT8/48/850-DBL-G8D	785	LED12WT8/PRM/48/850-G7D	750	LED17WT8/P/48/850-G8D	645
LED11.5WT8/48/835-G7D	735	LED12WT8F/36/835K-G7D	580	LED18WT8F/48/835-G7D	585
LED11.5WT8/48/835-PET-G7D	735	LED12WT8F/36/840K-G7D	600	LED18WT8F/48/840-G7D	610
LED11.5WT8/48/840-G7D	780	LED12WT8F/36/850K-G7D	600	LED18WT8F/48/850-G7D	610

DIMENSIONS



Rev. 7/20/22