



## VOL : VOLUMETRIC LED TROFFER

### DESCRIPTION

- Cost-effective architectural recessed LED luminaire
- Direct/indirect illumination provides visual comfort with minimal glare
- Clean line styling complements today's modern office decor
- One for one alternative LED solution to fluorescent troffers
- Up to 50% energy savings over fluorescent troffers
- 0-10V dimmable standard
- 125-130 lumens per watt
- Available in 2'x2' and 2'x4'

### LISTINGS

- UL Listed for dry/damp locations
- IC Rated for insulation contact
- DesignLights Consortium® Premium Qualified - meets the requirements for the highest DLC qualification for efficacy and lumen maintenance

### LED CHARACTERISTICS

- Rated lifetime L70: 50,000 hours
- 3500K, 4000K, 5000K CCT
- CRI: 80+
- 2'x2': 3200lm (approx.) @ 26W
- 2'x2' (CP): 3250lm (approx.) @26W
- 2'x4': 5900lm (approx.) @ 48W
- 2'x4' (CP): 5796lm (approx.) @ 46W

### ELECTRICAL

- Input voltage: 120-277V
- Dimmable power supply (0-10V)
- Power Factor: >.90
- THD: <15%

### CONSTRUCTION

- Single lens center basket with swept white sidewall reflector
- Features integral earthquake clips
- -4°F to 104°F (-20°C to 40°C) operating temperature

### WARRANTY

- 5 year limited warranty; see eiko.com for warranty details

|                |         |
|----------------|---------|
| project name   | type    |
| catalog number |         |
| comments       | voltage |
| approved by    | date    |



2x2



2x4

### APPLICATIONS

- Conference rooms
- Retail
- Offices
- Hospitality
- Healthcare
- Schools
- Reception areas
- Corridors
- Foyer



## ORDERING INFORMATION

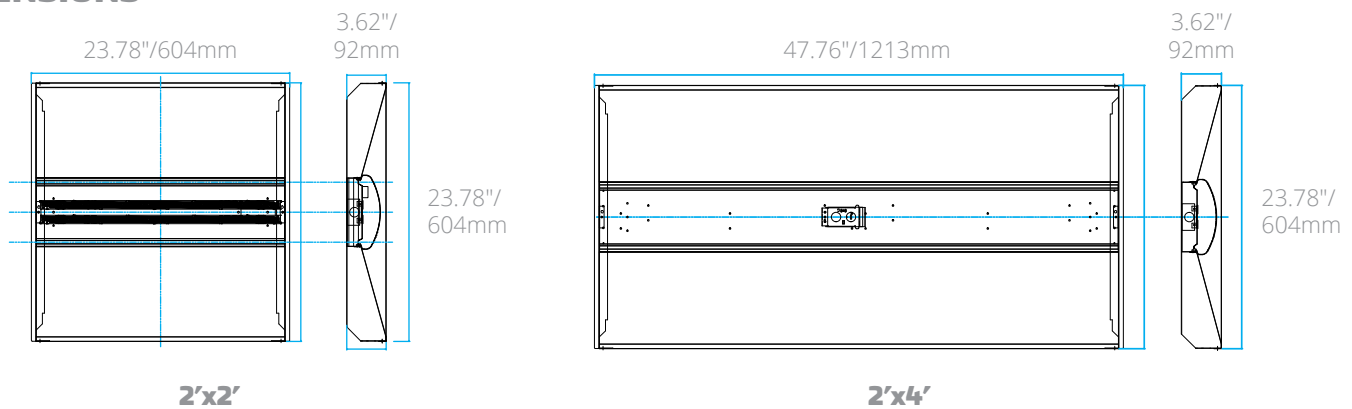
EXAMPLE: VOL22-3C-35K-U

| Model                        | Size                     | Package  | CCT                                       | Voltage      |
|------------------------------|--------------------------|--|---|--------------|
| VOL : Volumetric LED Troffer | 22 - 2'x2'<br>24 - 2'x4' | 3C - 26W; 3,100/3,275 lm<br>3CP - 26W; 3,250 lm<br>5C - 48W; 5,620/5,970/6,115 lm<br>5CP - 46W; 5,796 lm | 35K - 3500K<br>40K - 4000K<br>50K - 5000K | U - 120-277V |

## PERFORMANCE SUMMARY

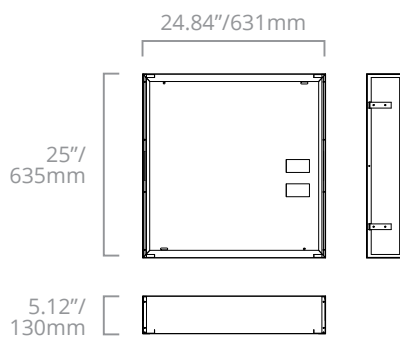
| Order Code | Item #          | Watts | Lumens | LPW | CCT   | CRI | Volts    | Fluor. Equiv.    | DLC Premium |
|------------|-----------------|-------|--------|-----|-------|-----|----------|------------------|-------------|
| 09469      | VOL22-3C-35K-U  | 26W   | 3,110  | 120 | 3500K | 80+ | 120-277V | 3x 17WT8, 2U31T8 | ✓           |
| 09470      | VOL22-3C-40K-U  | 26W   | 3,275  | 126 | 4000K | 80+ | 120-277V | 3x 17WT8, 2U31T8 | ✓           |
| 09491      | VOL22-3C-50K-U  | 26W   | 3,275  | 126 | 5000K | 80+ | 120-277V | 3x 17WT8, 2U31T8 | ✓           |
| 09471      | VOL24-5C-35K-U  | 48W   | 5,620  | 117 | 3500K | 80+ | 120-277V | 2x 32T8, 3x 32T8 | ✓           |
| 09472      | VOL24-5C-40K-U  | 48W   | 5,970  | 124 | 4000K | 80+ | 120-277V | 2x 32T8, 3x 32T8 | ✓           |
| 09492      | VOL24-5C-50K-U  | 48W   | 6,115  | 127 | 5000K | 80+ | 120-277V | 2x 32T8, 3x 32T8 | ✓           |
| 09706      | VOL22-3CP-35K-U | 26W   | 3,250  | 125 | 3500K | 80+ | 120-277V | 3x 17WT8, 2U31T8 | ✓           |
| 09707      | VOL22-3CP-40K-U | 26W   | 3,250  | 125 | 4000K | 80+ | 120-277V | 3x 17WT8, 2U31T8 | ✓           |
| 09708      | VOL22-3CP-50K-U | 26W   | 3,250  | 125 | 5000K | 80+ | 120-277V | 3x 17WT8, 2U31T8 | ✓           |
| 09709      | VOL24-5CP-35K-U | 46W   | 5,796  | 126 | 3500K | 80+ | 120-277V | 2x 32T8, 3x 32T8 | ✓           |
| 09710      | VOL24-5CP-40K-U | 46W   | 5,796  | 126 | 4000K | 80+ | 120-277V | 2x 32T8, 3x 32T8 | ✓           |
| 09711      | VOL24-5CP-50K-U | 46W   | 5,796  | 126 | 5000K | 80+ | 120-277V | 2x 32T8, 3x 32T8 | ✓           |

## DIMENSIONS

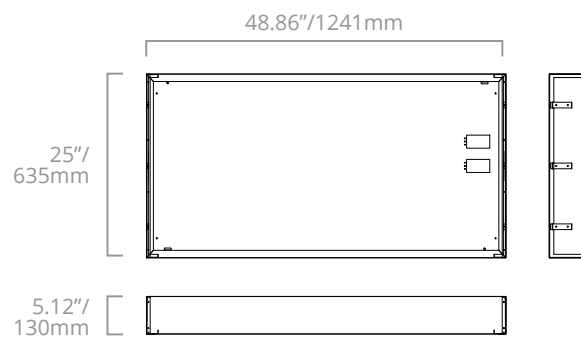


## AVAILABLE ACCESSORIES

| Order Code | Item #           | Description                    |
|------------|------------------|--------------------------------|
| 09849      | FHSCP-UNV-5WL    | 5W Emergency Battery Backup    |
| 09851      | FHSCP-UNV-7.8WL  | 7.8W Emergency Battery Backup  |
| 09850      | FHSCP-UNV-10.7WL | 10.7W Emergency Battery Backup |
| 09852      | FHSCP-UNV-13.7WL | 13.7W Emergency Battery Backup |
| 09854      | FHSCP-UNV-17WL   | 17W Emergency Battery Backup   |
| 09898      | VOL22-SMK-W      | 2x2 Surface Mount Kit, White   |
| 09899      | VOL24-SMK-W      | 2x4 Surface Mount Kit, White   |



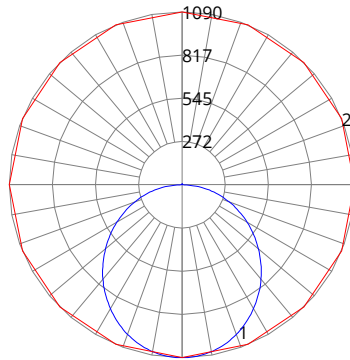
**VOL22-SMK-W**



**VOL24-SMK-W**

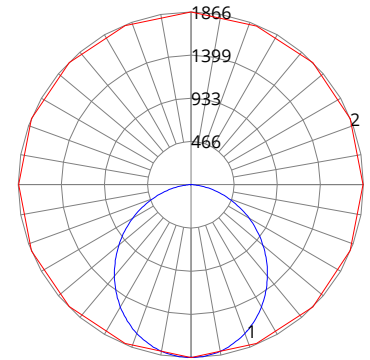
## VOL22-3C-xxK-U

| ZONAL LUMEN SUMMARY |         |          |
|---------------------|---------|----------|
| Zone                | Lumens  | %Fixture |
| 0-30                | 837.79  | 26.80    |
| 0-40                | 1364.83 | 43.60    |
| 0-60                | 2403.26 | 76.70    |
| 0-90                | 3125.3  | 99.80    |
| 0-180               | 3131.47 | 100.0    |
| SPACING CRITERIA    |         |          |
| 0-180               | 1.2     |          |
| 90-270              | 1.2     |          |
| Diagonal            | 1.4     |          |



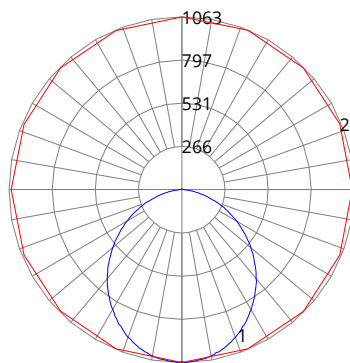
## VOL24-5C-xxK-U

| ZONAL LUMEN SUMMARY |         |          |
|---------------------|---------|----------|
| Zone                | Lumens  | %Fixture |
| 0-30                | 1439.98 | 25.80    |
| 0-40                | 2356.38 | 42.20    |
| 0-60                | 4201.1  | 75.30    |
| 0-90                | 5572.95 | 99.80    |
| 0-180               | 5582.62 | 100.0    |
| SPACING CRITERIA    |         |          |
| 0-180               | 1.2     |          |
| 90-270              | 1.2     |          |
| Diagonal            | 1.4     |          |



## VOL22-3CP-35K-U

| ZONAL LUMEN SUMMARY |         |          |
|---------------------|---------|----------|
| Zone                | Lumens  | %Fixture |
| 0-30                | 816.07  | 26.10    |
| 0-40                | 1333.72 | 42.60    |
| 0-60                | 2366.96 | 75.60    |
| 0-90                | 3124.89 | 99.80    |
| 0-180               | 3130.89 | 100.0    |
| SPACING CRITERIA    |         |          |
| 0-180               | 1.2     |          |
| 90-270              | 1.2     |          |
| Diagonal            | 1.4     |          |



## VOL24-5CP-xxK-U

| ZONAL LUMEN SUMMARY |         |          |
|---------------------|---------|----------|
| Zone                | Lumens  | %Fixture |
| 0-30                | 1472.67 | 12.0     |
| 0-40                | 2413.02 | 41.8     |
| 0-60                | 4308.98 | 74.7     |
| 0-90                | 5759.47 | 99.8     |
| 0-180               | 5770.06 | 100.0    |
| SPACING CRITERIA    |         |          |
| 0-180               | 1.2     |          |
| 90-270              | 1.2     |          |
| Diagonal            | 1.4     |          |

