



AFL : ARCHITECTURAL FLOOD LIGHT

FEATURES

- Clean, upscale appearance for high visibility applications
- Up to 28,600 lm; replaces up to 750W MH floodlights
- Adaptable to multiple mounts for job site flexibility
- 1/2" Trade Size KO's for wiring and controls
- NEMA 6x6 distribution standard
- Up to 128 lumens per Watt

LISTINGS

- UL Listed for wet locations
- IP65 Rated
- DesignLights Consortium® Premium Qualified - meets the requirements for the highest DLC qualification for efficacy and lumen maintenance

PERFORMANCE

- Rated lifetime L70: >50,000 hours; L90: >36,000 hours
- 4000K, 5000K CCT
- CRI: >70

ELECTRICAL

- Input voltage: 120-277V
- 0-10V dimming to 10% with dim-to-off capability
- Power Factor: >.9
- THD: <20%
- Auxiliary power: 12V, 200mA
- Internal 10kV surge protection

THERMAL

- -40°F to 104°F (-40°C to 40°C) operating temperature

CONSTRUCTION

- Die-cast aluminum housing with hidden heat sink for thermal management
- Impact-resistant tempered glass lens
- Durable polyester powder coating for demanding environments

WARRANTY

- 5 year limited warranty. Additional warranty options available. Contact EiKO for details

project name	type
catalog number	
comments	voltage
approved by	date

AFL2
(Slip fitter option shown)



AFL3
(Yoke option shown)

APPLICATIONS

- Parking Lots
- Building Facades
- Safety / Security
- Signs



ORDERING INFORMATION

EXAMPLE: AFL2/100W/740/UD/BZ/WF (item) + AFL2/3-S-BZ (mount)
(Mount ordered separately and field installed; required to order)

Base Item							Mount (Required)
Model	Wattage	CRI/CCT	Voltage	Dimming	Finish	Distribution	
AFL2 : Architectural Flood Light	75W - 75W 100W - 100W 150W - 150W	740 - 70CRI; 4000K 750 - 70CRI; 5000K	U - 120-277V	D - 0-10V Dimming	BZ - Bronze	WF - Wide Flood (NEMA 6x6)	AFL2/3-S-BZ - AFL2/3 Slip Fitter AFL2/3-T-BZ - AFL2/3 Trunnion AFL2-Y-BZ - AFL2 Yoke AFL3-Y-BZ - AFL3 Yoke
AFL3 : Architectural Flood Light	200W - 200W 240W - 240W						

PERFORMANCE SUMMARY

Order Code	Item #	Watts	Nominal Lumens	CCT	CRI	Volts	Distribution	Replaces MH	DLC Premium
11165	AFL2/75W/740/UD/BZ/WF	75W	9,400	4000K	70+	120-277V	NEMA 6x6	up to 250W	✓
11166	AFL2/75W/750/UD/BZ/WF	75W	9,400	5000K	70+	120-277V	NEMA 6x6	up to 250W	✓
11167	AFL2/100W/740/UD/BZ/WF	100W	12,700	4000K	70+	120-277V	NEMA 6x6	up to 320W	✓
11168	AFL2/100W/750/UD/BZ/WF	100W	12,700	5000K	70+	120-277V	NEMA 6x6	up to 320W	✓
11169	AFL2/150W/740/UD/BZ/WF	150W	17,350	4000K	70+	120-277V	NEMA 6x6	up to 400W	✓
11170	AFL2/150W/750/UD/BZ/WF	150W	17,350	5000K	70+	120-277V	NEMA 6x6	up to 400W	✓
11171	AFL3/200W/740/UD/BZ/WF	200W	24,800	4000K	70+	120-277V	NEMA 6x6	up to 750W	✓
11172	AFL3/200W/750/UD/BZ/WF	200W	24,800	5000K	70+	120-277V	NEMA 6x6	up to 750W	✓
11173	AFL3/240W/740/UD/BZ/WF	240W	28,600	4000K	70+	120-277V	NEMA 6x6	up to 750W	✓
11174	AFL3/240W/750/UD/BZ/WF	240W	28,600	5000K	70+	120-277V	NEMA 6x6	up to 750W	✓

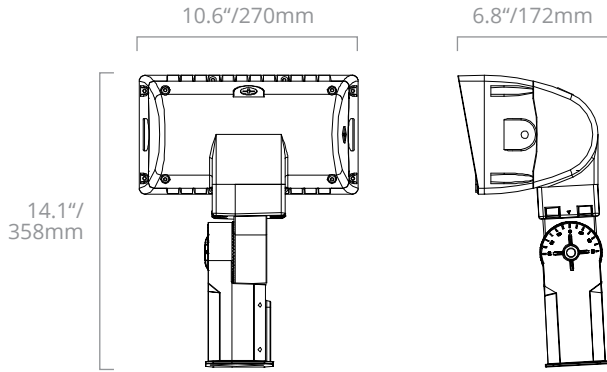
MOUNTING ACCESSORIES (Must be ordered with fixture)

11177	AFL2/3-S-BZ	AFL2/AFL3 Flood Light Slip Fitter Bronze
11178	AFL2/3-T-BZ	AFL2/AFL3 Flood Light Trunnion Bronze
11179	AFL2-Y-BZ	AFL2 Flood Light Yoke Bronze
11180	AFL3-Y-BZ	AFL3 Flood Light Yoke Bronze

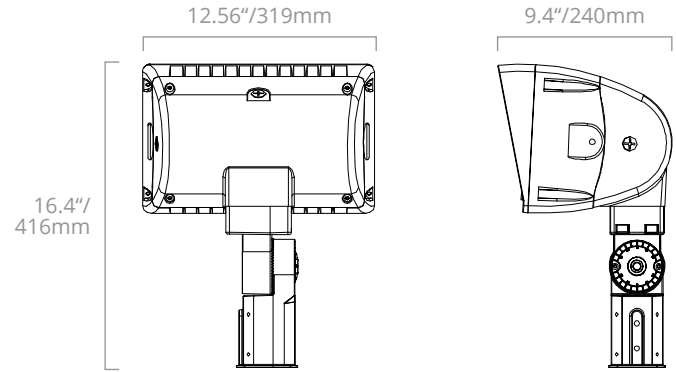
AVAILABLE ACCESSORIES

Order Code	Item #	Description
11182	AFL2-WG	AFL2 Flood Light Wire Guard - Medium
11183	AFL3-WG	AFL3 Flood Light Wire Guard - Large
09967	PC1-4136-U	Photocell, Stem Mount, Side Lens, 120-277V
09968	PC1-4236-U	Photocell, Stem Swivel Mount, Side Lens, 120-277V
09969	PC1-4736-U	Photocell, Stem Swivel Mount, Top Lens, 120-277V

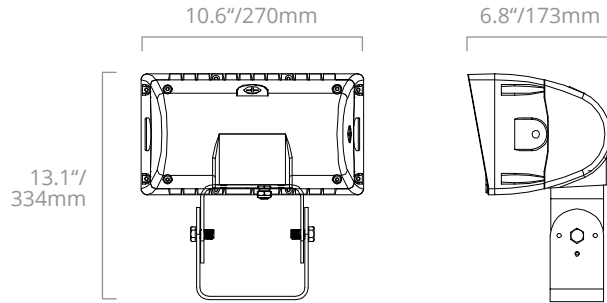
DIMENSIONS



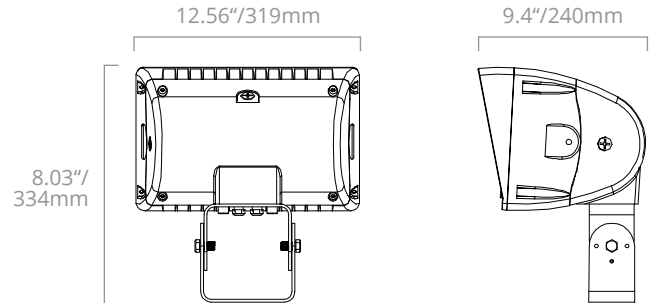
AFL 75W/100W/150W
with Optional Slipfitter for 2-3/8" pipe



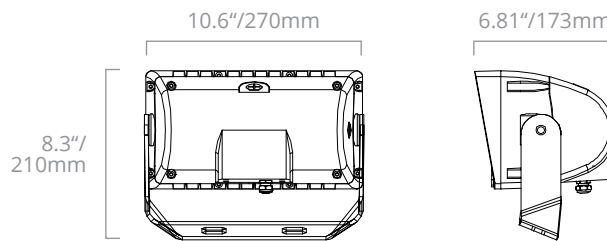
AFL 200W/240W
with Optional Slipfitter for 2-3/8" pipe



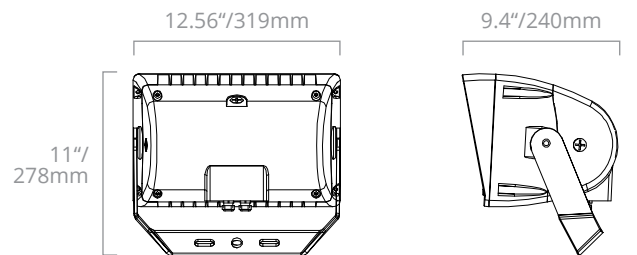
AFL 75W/100W/150W
with Optional Trunnion



AFL 200W/240W
with Optional Trunnion

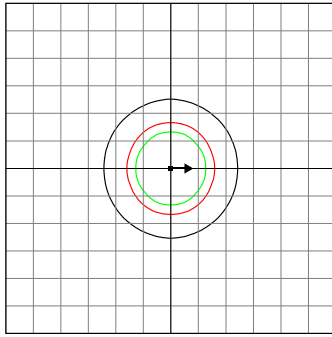


AFL 75W/100W/150W
with Optional Yoke

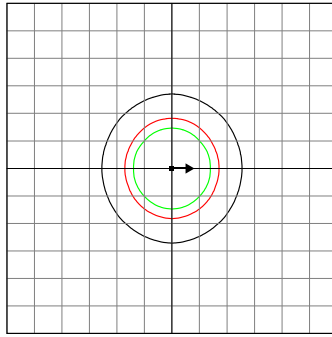


AFL 200W/240W
with Optional Yoke

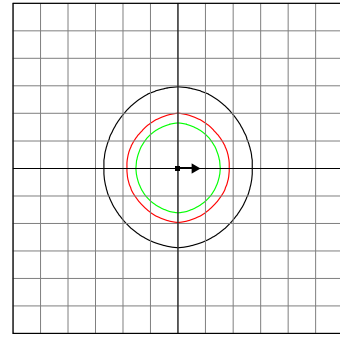
DISTRIBUTION



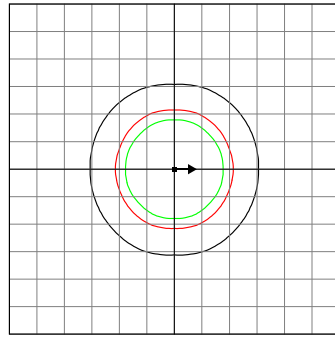
AFL 75W - 0°



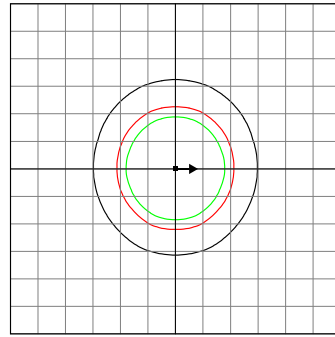
AFL 100W - 0°



AFL 150W - 0°



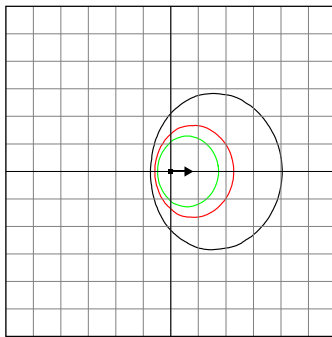
AFL 200W - 0°



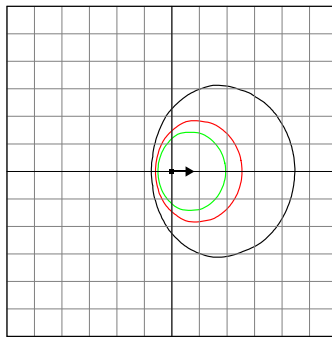
AFL 240W - 0°

■ 0.1 fc ■ 0.5 fc ■ 1.0 fc

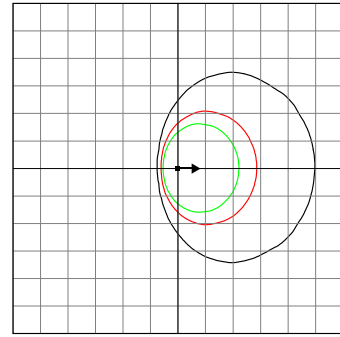
Distances are in units of mounting height (20). Luminaire tilted at 0°.



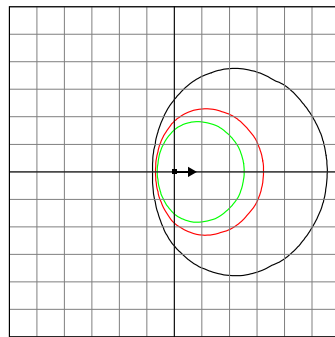
AFL 75W - 45°



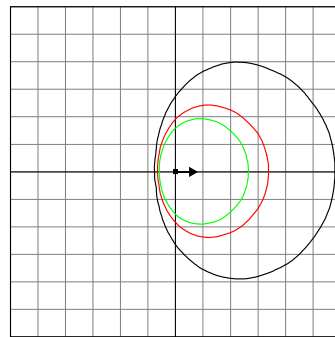
AFL 100W - 45°



AFL 150W - 45°



AFL 200W - 45°



AFL 240W - 45°

■ 0.1 fc ■ 0.5 fc ■ 1.0 fc

Distances are in units of mounting height (20). Luminaire tilted at 45°.