



DTD Dusk To Dawn

FEATURES

- 90% energy savings vs. traditional HID sources
- 13 years of maintenance-free operation with LED lifespan of 50,000 hours
- Instant-on with no warm-up, unlike HID
- Universal 120-277V photo control provides nighttime ON / daytime OFF
- Suitable for wall or pole mount applications

CERTIFICATIONS

- UL Listed for wet locations
- DesignLights Consortium® Premium Qualified - meets the requirements for the highest DLC qualification for efficacy and lumen maintenance
- IP65 Rated

PERFORMANCE

- Rated lifetime L80: 54,000 hours
- 5000K CCT
- CRI: >70

ELECTRICAL

- Input voltage: 120-277V
- 0-10V dimming
- Power Factor: >0.9
- THD: <20%
- Surge Protection: DTD/50W: 4kV; DTD/80W and DTD/120W: 10kV

THERMAL

- -40°F to 104°F (-40°C to 40°C) operating temperature

CONSTRUCTION

- Polyester powder coat gray finish for extra corrosion protection
- Diecast aluminum housing
- Impact resistant, non-yellowing polycarbonate lens
- Includes separate galvanized steel mounting arm
- 2-3/8" mounting arm fitting

WARRANTY

- 5 year limited warranty. Additional warranty options available. Contact EiKO for details

project name	type
catalog number	voltage
approved by	date



APPLICATIONS

- Farms / Barns
- Security
- Industrial Yards
- Building Perimeters
- Storage Sheds
- Entryways / Pathways
- Area Lighting

CONFIGURATOR

MODEL	LUMEN PACKAGE	CRI/CCT	VOLTAGE	DIMMING
DTD : Dusk To Dawn	50W - 50W; 6,300 lm	730 - 70 CRI; 3000K 750 - 70 CRI; 5000K	U - 120-277V	D - 0-10V Dimming
	80W - 80W; 11,200 lm			
	120W - 120W; 16,300 lm			

BUILD YOUR PART NUMBER :

DTD			U	D
------------	--	--	----------	----------



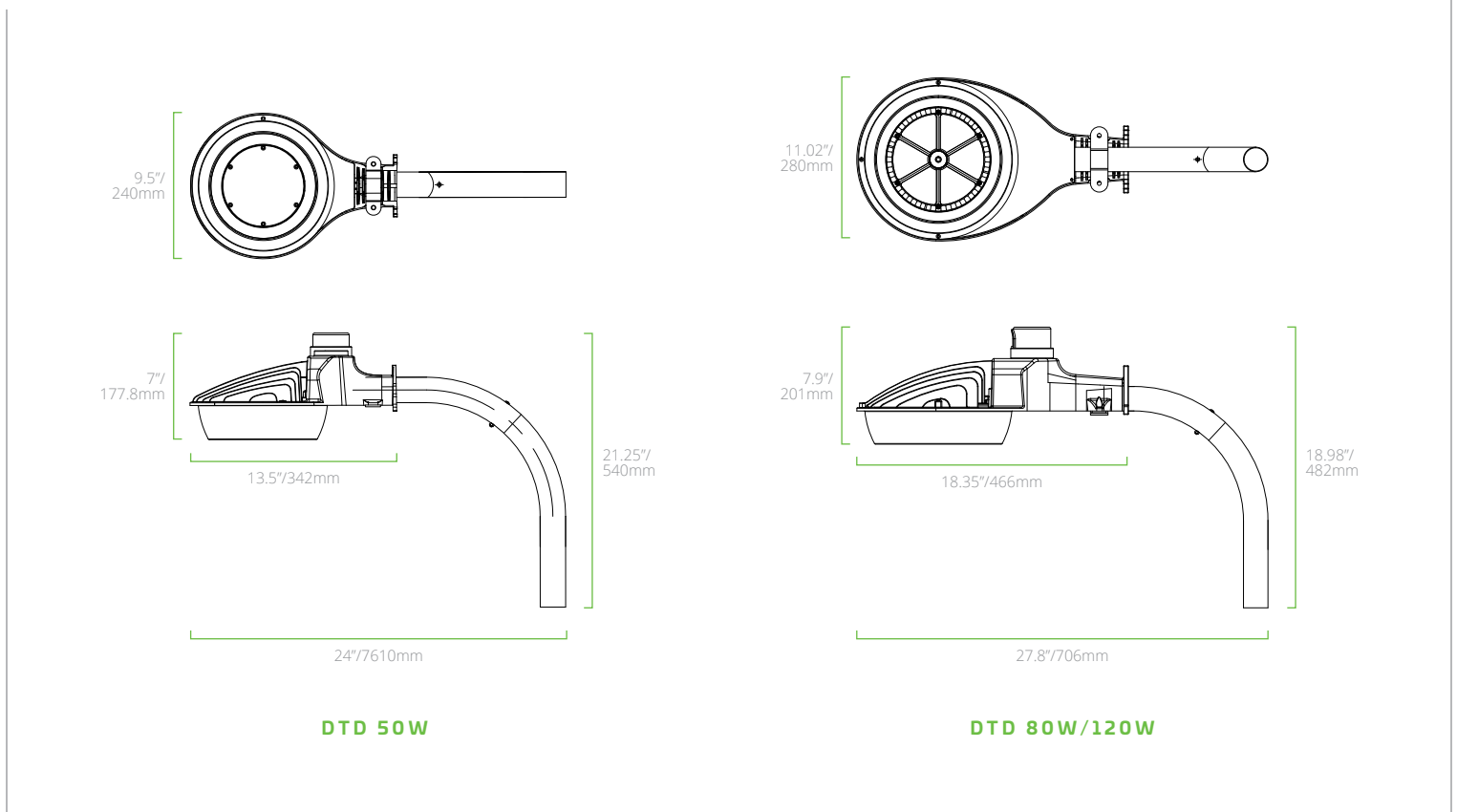
PERFORMANCE SUMMARY

ORDER CODE	ITEM #	WATTS	NOMINAL LUMENS	LPW	CCT	CRI	DIMMING	VOLTS	REPLACES
11494	DTD/50W/730/JD	50W	6,300	126	3000K	>70	0-10V	120-277V	up to 250W HID
11495	DTD/50W/750/JD	50W	6,300	126	5000K	>70	0-10V	120-277V	up to 250W HID
11496	DTD/80W/750/JD	80W	11,200	140	5000K	>70	0-10V	120-277V	up to 250W HID
11497	DTD/120W/750/JD	120W	16,300	136	5000K	>70	0-10V	120-277V	up to 320W HID

ACCESSORIES

ORDER CODE	ITEM #	DESCRIPTION
10040	PC1-4500	Shorting Plug 120-480V 15A 2-year Warranty
10041	PC1-4536S-U	Photocell Twist-lock 120-277V 2A 6-year Warranty (Replace Factory Installed Twist-Lock 120-277V PC)
10042	PC1-4536P-U	Premium Photocell Twist-lock 120-277V 6A 8-year Warranty

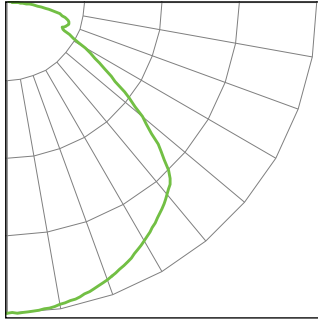
PRODUCT DIMENSIONS



PHOTOMETRICS

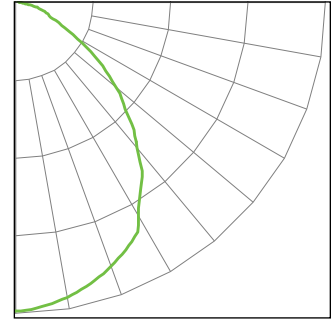
DTD / 50W / 7xx / UD (Typical performance @120V, 5000K)

ZONAL LUMEN SUMMARY		
ZONE	LUMENS	%FIXTURE
0-20	929.73	13.3%
0-30	1994.6	28.6%
0-40	3321.5	47.6%
0-60	5527.13	79.2%
0-80	6558.03	93.9%
0-90	6773.66	97.0%
90-180	207.41	3.0%
0-180	6981.07	100%



DTD / 80W / 7xx / UD (Typical performance @120V, 5000K)

ZONAL LUMEN SUMMARY		
ZONE	LUMENS	%FIXTURE
0-20	1805.68	15.5%
0-30	3832.52	32.9%
0-40	6116.2	52.5%
0-60	9713.63	83.3%
0-80	11086.09	95.1%
0-90	11316.83	97.1%
90-180	337.31	2.9%
0-180	11654.14	100%



DTD / 120W / 7xx / UD (Typical performance @120V, 5000K)

ZONAL LUMEN SUMMARY		
ZONE	LUMENS	%FIXTURE
0-20	2624.76	15.5%
0-30	5568.81	32.9%
0-40	8885.49	52.5%
0-60	14109.11	83.4%
0-80	16109.97	95.2%
0-90	16442.75	97.2%
90-180	481.01	2.8%
0-180	16923.76	100%

