



# DTD : LED DUSK TO DAWN

## DESCRIPTION

A cost-effective, durable LED solution for area and general security lighting.

## FEATURES

- 90% energy savings vs. traditional HID sources
- 13 years of maintenance-free operation with LED lifespan of 50,000 hours
- Instant-on with no warm-up, unlike HID
- Universal 120-277V photo control provides nighttime ON / daytime OFF
- Polyester powder coat gray finish for extra corrosion protection
- Suitable for wall or pole mount applications

## LISTINGS

- UL Listed for wet locations
- DesignLights Consortium® Qualified - meets DLC requirements for efficacy and lumen maintenance
- IP65 Rated

## PERFORMANCE

- Rated lifetime L70: 50,000 hours
- 5000K CCT
- CRI: >70

## ELECTRICAL

- DTD-95 and DTD-140 feature 10kV surge protection
- Input voltage: 120-277V
- 0-10V dimming
- Power Factor: >.9
- THD: <20%

## THERMAL

- -40°F to 104°F (-40°C to 40°C) operating temperature

## CONSTRUCTION

- Diecast aluminum housing
- Impact resistant, non-yellowing polycarbonate lens
- Includes separate galvanized steel mounting arm
- 2-3/8" mounting arm fitting

## WARRANTY

- 5 year limited warranty; see eiko.com for warranty details

project name	type
catalog number	
comments	voltage
approved by	date



## APPLICATIONS

- Farms / Barns
- Security
- Industrial Yards
- Building Perimeters
- Storage Sheds
- Entryways / Pathways
- Area Lighting



## ORDERING INFORMATION

EXAMPLE: DTD-60/C0/850-GY-U

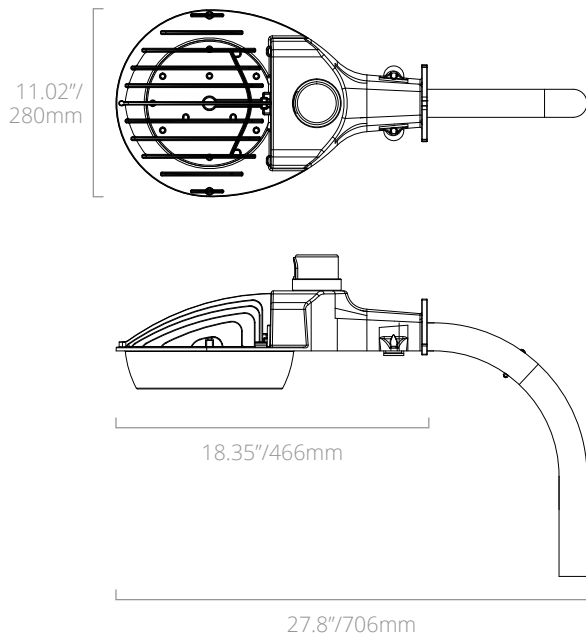
Model	Package	LPW	CCT	Dimming	Finish	Voltage
<b>DTD</b> : LED Dusk to Dawn	<b>60</b> - 50W; 6,000 lm <b>95</b> - 79W; 9,500 lm <b>140</b> - 122W; 14,000 lm	<b>C0</b> - 120 lpw <b>B5</b> - 115 lpw	<b>850</b> - 5000K CCT	<b>DIM</b> /(Blank) - 0-10V Dimming	<b>GY</b> - Grey	<b>U</b> - 120-277V

## PERFORMANCE SUMMARY

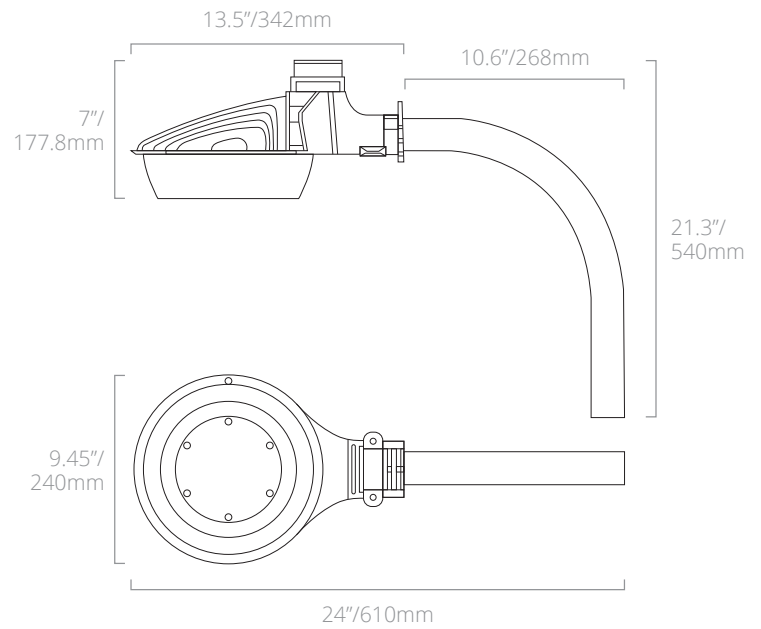
Order Code	Item #	Watts	Lumens	CCT	Volts	HID Equiv.	DLC
10477	DTD-60/C0/850-GY-U	50W	6,000	5000K	120-277V	400W	
09964	DTD-95/C0/850-DIM-GY-U	79W	9,500	5000K	120-277V	400W	✓
09965	DTD-140/B5/850-DIM-GY-U	122W	14,000	5000K	120-277V	400W	✓

✓DesignLights Consortium® Qualified

## DIMENSIONS



**DTD-60/C0/850-GY-U**



**DTD-95/C0/850-DIM-GY-U**  
**DTD-140/B5/850-DIM-GY-U**

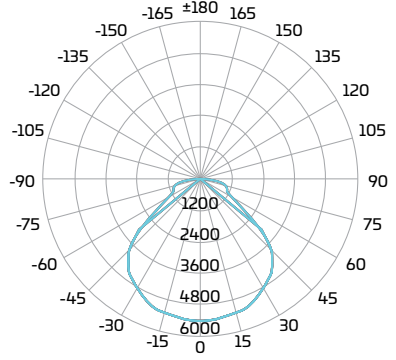
## AVAILABLE ACCESSORIES

Order Code	Item #	Description
10040	PC1-4500	Shorting Plug 120-480V 15A 2-year Warranty
10042	PC1-4536P-U	Premium Photocell Twist-lock 120-277V 6A 8-year Warranty

# PHOTOMETRICS

## DTD-60/C0/850-DIM-GY-U

ZONAL LUMEN SUMMARY		
Zone	Lumens	%Fixture
0-30	715.7	14.2%
30-60	1281.8	25.4%
60-80	404.8	8.0%
80-90	82.9	1.6%
0-30	720.2	14.3%
30-60	1297.4	25.7%
60-80	412.6	8.2%
80-90	83.5	1.7%
90-100	23.5	0.5%
100-180	20.2	0.4%



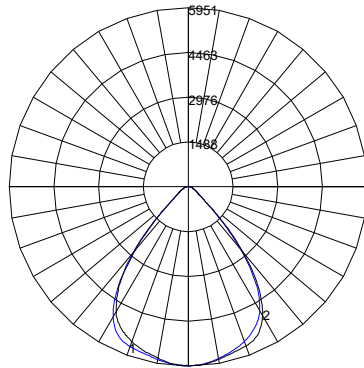
AVERAGE BEAM ANGLE (50%) : 103.4°

UNIT : cd

— C0-180, 103.7    — C60/240, 103.0  
— C30/210, 103.7    — C90/270, 103.0

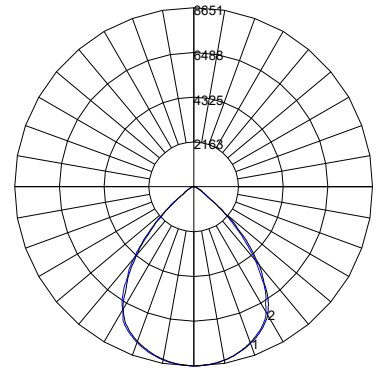
## DTD-95/C0/850-DIM-GY-U

ZONAL LUMEN SUMMARY		
Zone	Lumens	%Fixture
0-20	2169.52	23.8%
0-30	4623.93	50.8%
0-40	7055.63	77.5%
0-60	8625.51	94.7%
0-80	9005.29	98.9%
0-90	9081.69	99.7%
90-180	27.28	0.3%
0-180	9108.97	100%

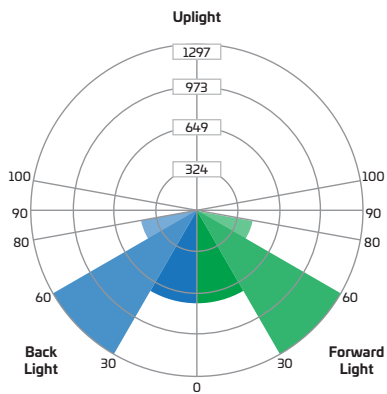


## DTD-140/B5/850-DIM-GY-U

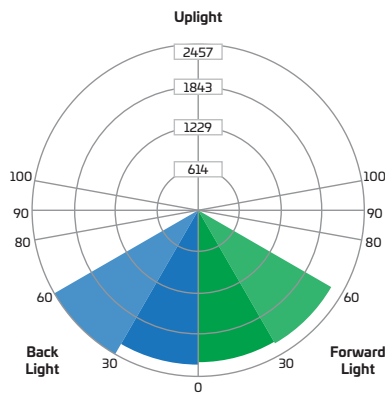
ZONAL LUMEN SUMMARY		
Zone	Lumens	%Fixture
0-20	3152.24	22.5%
0-30	6635.18	47.4%
0-40	10261.29	73.3%
0-60	13417.01	95.8%
0-80	13866.35	99.0%
0-90	13955.11	99.7%
90-180	46.03	0.3%
0-180	14001.14	100%



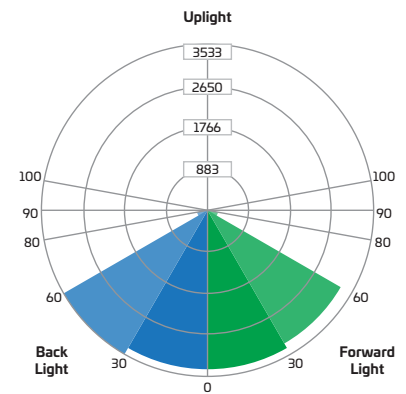
# BUG RATINGS



DTD-60/C0/850-DIM-GY-U  
B2-U2-G1



DTD-95/C0/850-DIM-GY-U  
B3-U2-G1



DTD-140/B5/850-DIM-GY-U  
G4-U2-G1