

## LED HID Replacement Lamps : Large



80/  
100/120  
watts

10.4K-  
16K  
lumens

120  
lpw

EX39/  
E39  
base

### Features

- LED replacement for high wattage HID fixtures from 320W to 600W
- Consumes up to 87% less energy than conventional HID systems
- State-of-the-art LED light sources deliver over 130 lumens per watt
- Lasts 3x longer than metal halide or HPS HID lamps
- Choice of 3000K, 4000K or 5000K CCT
- Shatter resistant for reduced risk of injury & breakage
- Safety tether kit included
- Integral driver, eliminates the need for external driver or ballast
- Environmentally friendly: contains no glass, mercury, or lead
- EX39/E39 base: Suitable for use in totally enclosed or open rated fixtures
- DLC Listed



### Performance

- 3000K, 4000K, 5000K
- 130+ lpw
- 80+ CRI
- 50,000 hour life @ L70
- Operating temperatures:
  - 120-277V: -4°F to 149°F (-20°C to 65°C); -4°F to 104°F (-20°C to 40°C) in enclosed fixtures
  - 347V: -40°F to 149°F (-40°C to 65°C); -40°F to 104°F (-40°C to 40°C) in enclosed fixtures
- Direct line voltage 100-277V or 347V - not compatible with ballasts
- Power Factor > 0.9
- Non-dimmable
- Universal mounting position
- UL1598C – Existing fixtures retain UL certification
- Built-in 6kV surge protection included
- Operating frequency 50-60Hz
- Damp location rated
- **When used in enclosed fixtures, minimum compartment dimensions 9.25" x 9.25" x 17.3" (235mm x 235mm x 440mm)**

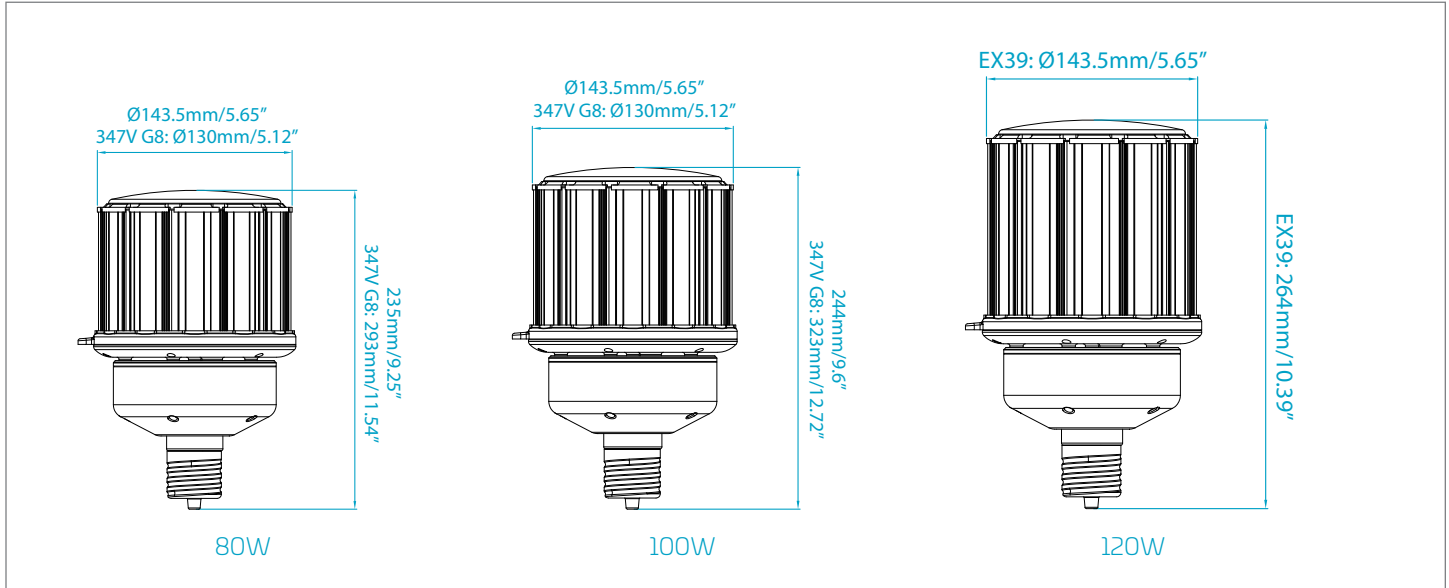
### Applications

- Industrial
- Commercial



# LED HID Replacement Lamps : Large

## Dimensions



## Ordering Information

Order Code	Item #	Lm	W	CCT	CRI	V	Life/Hrs L70	Base	Replaces HID	DLC
<b>09346</b>	LED80WPT40KMOG-G6	10,400	80W	4000K	80+	100-277V	50K	EX39	320W HID	✓
<b>09347</b>	LED80WPT50KMOG-G6	10,640	80W	5000K	80+	100-277V	50K	EX39	320W HID	✓
<b>09827</b>	LED80WPT40KMOG-347V-G8*	10,400	80W	4000K	80+	347V	50K	E39	320W HID	✓
<b>09828</b>	LED80WPT50KMOG-347V-G8*	10,800	80W	5000K	80+	347V	50K	E39	320W HID	✓
<b>09661</b>	LED100WPT30KMOG-G6	11,900	100W	3000K	80+	100-277V	50K	EX39	400W HID	
<b>09348</b>	LED100WPT40KMOG-G6	13,000	100W	4000K	80+	100-277V	50K	EX39	400W HID	✓
<b>09153</b>	LED100WPT50KMOG-G6	13,300	100W	5000K	80+	100-277V	50K	EX39	400W HID	✓
<b>09451</b>	LED100WPT40KMOG-347V-G7*	11,900	100W	4000K	80+	347V	50K	E39	250-400W	
<b>09452</b>	LED100WPT50KMOG-347V-G7*	11,900	100W	5000K	80+	347V	50K	E39	250-400W	
<b>09825</b>	LED100WPT40KMOG-347V-G8*	13,000	100W	4000K	80+	347V	50K	E39	250-400W	✓
<b>09826</b>	LED100WPT50KMOG-347V-G8*	13,500	100W	5000K	80+	347V	50K	E39	250-400W	✓
<b>09349</b>	LED120WPT40KMOG-G6	15,600	120W	4000K	80+	100-277V	50K	EX39	600W HID	✓
<b>09154</b>	LED120WPT50KMOG-G6	15,960	120W	5000K	80+	100-277V	50K	EX39	600W HID	✓

NOTE: use order code when ordering.

\*Canada only.

✓ DesignLights Consortium® Qualified

When used in enclosed fixture, minimum lamp compartment dimensions 9.25" x 9.25" x 17.3" (235mm x 235mm x 440mm)  
Compatible with EX39 & E39 sockets

watch > like > follow



23220 W. 84<sup>th</sup> St, Shawnee, KS 66227 · (P) 1.800.852.2217 · (F) 1.800.492.8975  
Canada: 81 King St, Barrie, ON L4N 6B5 · (P) 1.888.410.8151 · (F) 1.888.705.1335