



## EMERGENCY BATTERY : T8 BYPASS TUBES

### DESCRIPTION

This Emergency Battery for LED T8 bypass tubes provides 90 minutes of emergency power.

### FEATURES

- Functions with select EiKO single- and double-ended tubes; see compatibility list on page 2 for details
- Short circuit overload/open load protection

### WARRANTY

- 5 year limited warranty; see eiko.com for warranty details

### APPLICATIONS

- Commercial
- Industrial
- Hospitality
- Education
- Healthcare
- Retail



<b>INPUT</b>	Input Voltage	120-277VAC
	Input Current	<100mA
	Frequency Range	50/60Hz
	Max. Power	5W
	Max. Standby Power	2W
<b>OUTPUT</b>	Output Power	5W
	Output Voltage	20-250Vdc
	Output Current	Load Dependent
	Emergency Time	90 min @ 5W
	Output Open Protection	Yes
	Overpower Protection	Yes
<b>OTHER INFORMATION</b>	Compatibility	Bypass Tubes
	Operation Temperature	32°F to 122°F (0°C to 50°C)
	Battery Type	Lithium Ion
	Battery Capacity	800mAH 14.8V
	Charge Current	160mA
	Recharge Time	24 hrs max
	UL Certification	UL Listed - Battery temperature must not exceed 122°F (50°C)
	Environment	Max. mounting height: 12.35 ft (3.76 m); Suitable for dry and damp locations

## PERFORMANCE SUMMARY

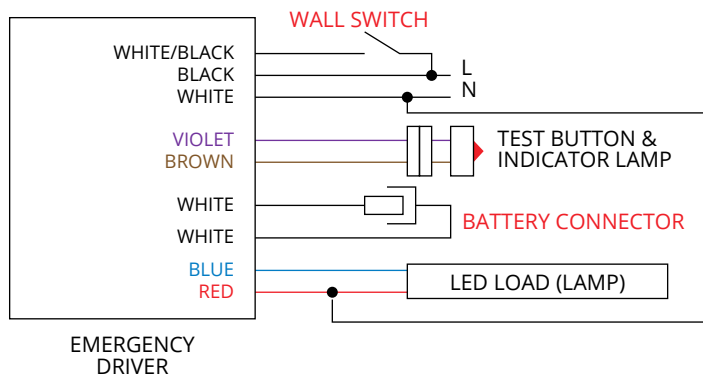
Order Code	Item #	Description	Watts	Volts	CEC
11279	EEB5WBTU	Emergency Battery for Bypass Tubes	5W	120-277V	✓

NOTE: Use order code when ordering.

## COMPATIBLE EIKO T8 BYPASS TUBES

Part Number	Operating Voltage	Wiring Type	UL Type	Compatible		
				120V	277V	347V
LED9WT8/24/8XX-DS-G8	120V-277V	Single Ended	Type B	✓	✓	-
LED10.5WT8/48/8XX-DBL-G9D	120V-277V	Single/Double Ended	Type B	✓	✓	-
LED12.5WT8/48/8XX-DBL-G9D	120V-277V	Single/Double Ended	Type B	✓	✓	-
LED14.5WT8/48/8XX-DT-PET-G9D	120V	Single Ended	Type B	✓	-	-
LED15WT8/48/8XX-DBL-G9D	120V-277V	Single/Double Ended	Type B	✓	✓	-
LED15WT8/48/8XX-G8D-347V	120V-347V	Single/Double Ended	Type B	✓	✓	✗
LED18.5WT8/48/8XX-G8D	120V-277V	Single/Double Ended	Type B	✓	✓	-
LED18WT8/48/8XX-DS-G8	120V-277V	Single Ended	Type B	✓	✓	-
LED24WT8/60/8XX-DS-G8	120V-277V	Single Ended	Type B	✓	✓	-
LED26WT8/48/8XX-G8D	120V-277V	Single Ended	Type B	✓	✓	-
LED30WT8/72/8XX-DS-G8	120V-277V	Single Ended	Type B	✓	✓	-
LED36WT8/96/8XX-DS-G8	120V-277V	Single Ended	Type B	✓	✓	-

## WIRING DIAGRAM



## DIMENSIONS

