



CD : COMMERCIAL DOWNLIGHT

DESCRIPTION

CD Commercial Downlights are economical LED options with multiple “set and forget” lumen stops and CCT options in each fixture. Available in 4”, 6”, 8”, and 10” options, CD Downlights feature a spring installation that can be installed directly in the ceiling without a housing.

FEATURES

- Provides comfortable diffused light
- 0-10V dimming
- 85° beam angle
- PowerSet feature allows for multiple “set and forget” lumen stops
- FieldCCeT feature allows for multiple “set and forget” CCT options
- Suitable for new construction or remodel applications*
- Flexible steel conduit with 1/2” KO (3/8” Trade Size) snap in connector

LISTINGS

- ETL Listed for Wet Locations
- ENERGY STAR® Approved for superior energy efficiency
- Type IC for insulation contact

PERFORMANCE

- Rated lifetime L85 > 60,000 hours; L90 > 40,000 hours
- PowerSet: 4”: 12/8/6W 6”: 16/12/8W
8”: 22/16/12W 10”: 33/26/22W
- FieldCCeT: 3000K/3500K/4000K selectable
- CRI: >80

ELECTRICAL

- Input voltage: 120-277VAC 50/60Hz
- 0-10V dimming
- Power Factor: >0.9
- THD: <20%

THERMAL

- -4°F to 104°F (-20°C to 40°C); Insulation Contact -4°F to 77°F (-20°C to 25°C)

CONSTRUCTION

- Deep recessed light source for lower glare
- Powder coated aluminum reflector and trim

WARRANTY

- 5 year limited warranty; see eiko.com for warranty details
- Additional warranty options available; consult EiKO for details

*Verify fit prior to installation, not suitable for enclosed cans or for use with pin base or screw base applications.

project name	type
catalog number	
comments	voltage
approved by	date



Multiple “set and forget” lumen and CCT stops in each fixture

APPLICATIONS

- Hotel Lobby
- Shopping Center
- Supermarket
- Recreation Center
- Public Areas
- Corridors
- Offices
- Schools
- Hospitality
- Retail



ORDERING INFORMATION

EXAMPLE: CD4/PS12/FCCT/UD

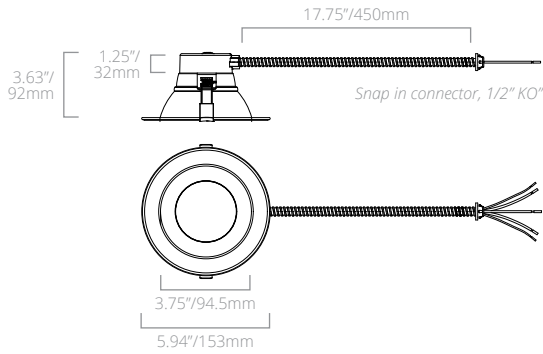
Model	Size	PowerSet	FieldCCeT	Voltage	Dimming
CD : Commercial Downlight	4 - 4" 6 - 6" 8 - 8" 10 - 10"	PS12 - 12/8/6W PS16 - 16/12/8W PS22 - 22/16/12W PS33 - 33/26/22W	FCCT - 30/35/4000K	U - 100-277VAC	D - 0-10V dimming

PERFORMANCE SUMMARY

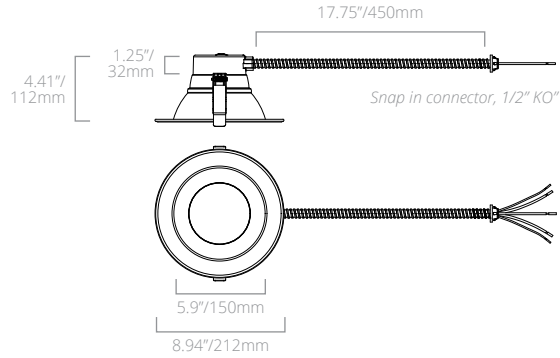
Order Code	Item #	Size	PowerSet	Lumens	FieldCCeT	CRI	Volts	Dimming	ES
11024	CD4/PS12/FCCT/UD	4"	12/8/6W	540-1,140	30/35/4000K	80+	120-277VAC	0-10V	★
11025	CD6/PS16/FCCT/UD	6"	16/12/8W	760-1,525	30/35/4000K	80+	120-277VAC	0-10V	★
11026	CD8/PS22/FCCT/UD	8"	22/16/12W	1,280-2,125	30/35/4000K	80+	120-277VAC	0-10V	★
11027	CD10/PS33/FCCT/UD	10"	33/26/22W	2,125-3,140	30/35/4000K	80+	120-277VAC	0-10V	★

★ENERGY STAR® Approved

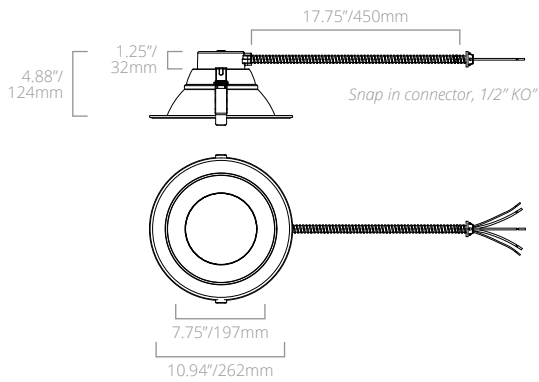
DIMENSIONS



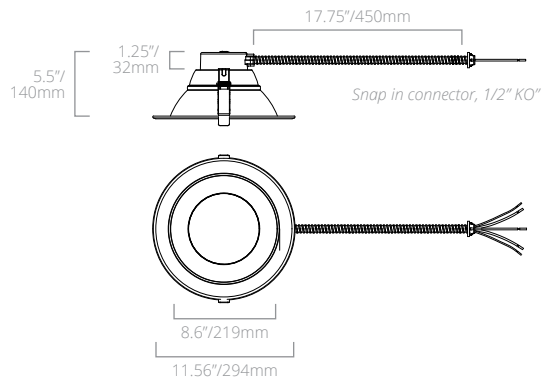
CD4



CD6



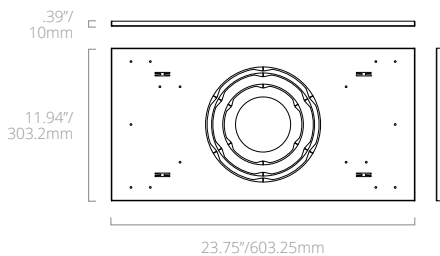
CD8



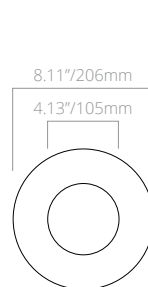
CD10

AVAILABLE ACCESSORIES

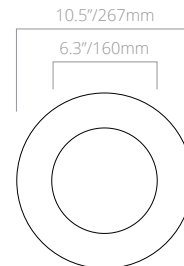
Order Code	Item #	Description
11160	CDRANCPTG	New Construction Plate T-Grid
11161	CDRAGR4	Goof Ring 4"
11162	CDRAGR6	Goof Ring 6"
11163	CDRAGR8	Goof Ring 8"



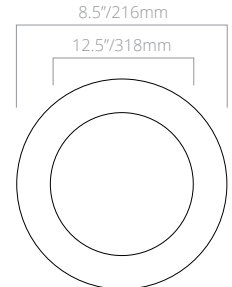
New Construction Plate T-Grid
(Includes knockouts for 4", 6", and 8")



Goof Ring 4"



Goof Ring 6"

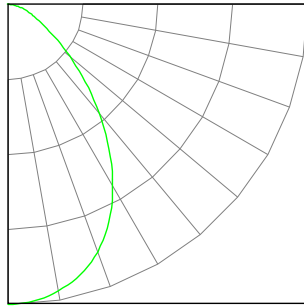


Goof Ring 8"

PHOTOMETRICS

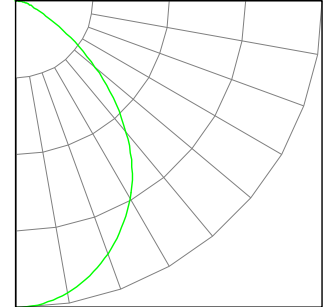
CD4/PS12/FCCT/UD (Typical performance @12W, 4000K)

ZONAL LUMEN SUMMARY		
Zone	Lumens	%Fixture
0-30	411.56	42.4%
0-40	620.41	63.9%
0-60	879.40	90.5%
0-80	965.57	99.4%
0-90	971.54	100%
60-80	86.17	8.9%
70-80	29.89	3.1%
80-90	5.97	0.6%
0-180	971.54	100%



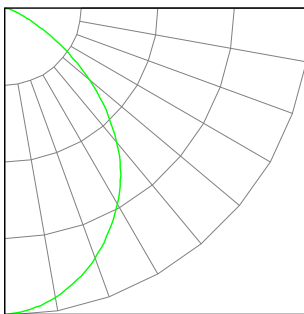
CD6/PS16/FCCT/UD (Typical performance @16W, 4000K)

ZONAL LUMEN SUMMARY		
Zone	Lumens	%Fixture
0-30	543.60	39.8%
0-40	848.38	62.1%
0-60	1255.73	91.9%
0-80	1356.66	99.3%
0-90	1365.67	100%
60-80	100.93	7.4%
70-80	33.02	2.4%
80-90	9.01	0.7%
0-180	1365.67	100%



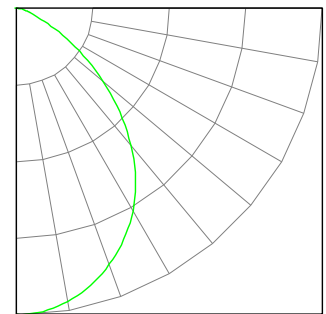
CD8/PS22/FCCT/UD (Typical performance @22W, 4000K)

ZONAL LUMEN SUMMARY		
Zone	Lumens	%Fixture
0-30	861.75	37.7%
0-40	1362.22	59.5%
0-60	2100.86	91.8%
0-80	2274.6	99.4%
0-90	2287.7	100%
60-80	173.73	7.6%
70-80	46.74	2.0%
80-90	13.10	0.6%
0-180	2287.7	100%



CD10/PS33/FCCT/UD (Typical performance @33W, 4000K)

ZONAL LUMEN SUMMARY		
Zone	Lumens	%Fixture
0-30	1176.66	38.1%
0-40	1852.87	60.0%
0-60	2830.71	91.7%
0-80	3069.2	99.4%
0-90	3087.65	100%
60-80	238.49	7.7%
70-80	67.22	2.2%
80-90	18.45	0.6%
0-180	3087.65	100%



SCALING FACTORS

FIXTURE	WATTS	3000K	3500K	4000K
4"	6	0.55	0.58	0.58
	8	0.72	0.76	0.76
	12	0.97	1.03	1.00
6"	8	0.56	0.58	0.58
	12	0.77	0.81	0.79
	16	0.97	1.04	1.00
8"	12	0.53	0.56	0.56
	16	0.69	0.74	0.73
	22	0.94	1.03	1.00
10"	22	0.65	0.70	0.69
	26	0.81	0.86	0.84
	33	0.96	1.03	1.00