



SIGNAL : LED FLOODLIGHT & HIGHBAY

DESCRIPTION

SIGNAL is the brightest highbay/floodlight fixture on the market with an output of nearly 100,000 lumens. SIGNAL's lightweight design allows for easy installation and unparalleled energy savings.

FEATURES

- Light weight for easy installation
- Multiple distributions available to optimize performance
- Optional visor and reflector help prevent light pollution

LISTINGS

- ETL Listed for wet locations
- IP65 Rated
- 3G rated per ANSI C136.31
- DesignLights Consortium® Premium Qualified - meets the requirements for the highest DLC qualification for efficacy and lumen maintenance

PERFORMANCE

- Rated lifetime L70: >50,000 hours
- 4000K, 5000K CCT
- CRI: >70
- 450W - 72,000 lm, 160 lpw
- 600W - 96,000 lm, 160 lpw

ELECTRICAL

- Input voltage: 100-277V; 277-480V
- 0-10V dimming
- Power Factor: >.9
- THD: <20%
- Constant lumen output options available

THERMAL

- -40°F to 122 °F (-40°C to 50°C) operating temperature

CONSTRUCTION

- Cold forged aluminum heatsink ensures optimal performance
- Stainless steel hardware
- Durable powder coat finish

WARRANTY

- 5 year limited warranty; see eiko.com for warranty details

project name	type
catalog number	
comments	voltage
approved by	date



APPLICATIONS

- Warehouses
- Manufacturing Plants
- Distributions centers
- Hangars
- High Mast
- Bridges, Monuments, Facades
- Rail, Shipping, Work Yards
- Construction Sites
- Outdoor Sports Fields
- Stadiums and Arenas



ORDERING INFORMATION

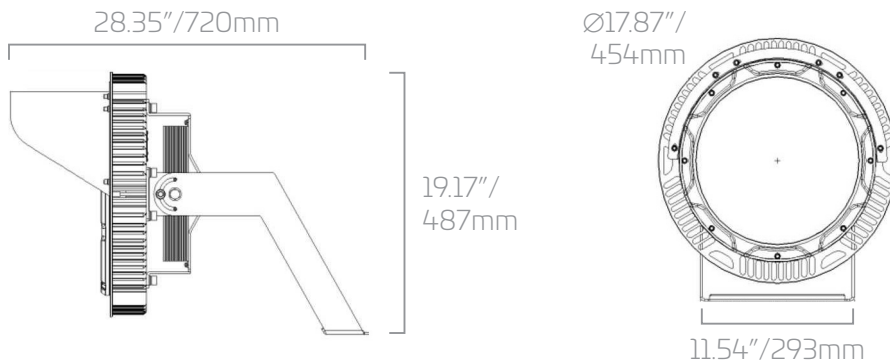
EXAMPLE: SIG-720/G0/740-U-D-G-BK

Model	Package	LPW	CRI/CCT	Voltage	Dimming	Lens	Finish
SIG - SIGNAL	720 - 450W; 72,000 lm 960 - 600W; 96,000 lm	G0 - 160 lpw	740 - 70 CRI; 4000K 750 - 70 CRI; 5000K	U - 120-277V V - 277-480V	D - 0-10V Dimming	G - Glass	BK - Black

PERFORMANCE SUMMARY

Order Code	Item #	Watts	Lumens	CCT	CRI	Volts	DLC Premium
10290	SIG-720/G0/740-U-D-G-BK	450W	72,000	4000K	70+	120-277V	✓
10294	SIG-720/G0/740-V-D-G-BK	450W	72,000	4000K	70+	277-480V	✓
10291	SIG-720/G0/750-U-D-G-BK	450W	72,000	5000K	70+	120-277V	✓
10295	SIG-720/G0/750-V-D-G-BK	450W	72,000	5000K	70+	277-480V	✓
10292	SIG-960/G0/740-U-D-G-BK	600W	96,000	4000K	70+	120-277V	✓
10296	SIG-960/G0/740-V-D-G-BK	600W	96,000	4000K	70+	277-480V	✓
10293	SIG-960/G0/750-U-D-G-BK	600W	96,000	5000K	70+	120-277V	✓
10297	SIG-960/G0/750-V-D-G-BK	600W	96,000	5000K	70+	277-480V	✓

DIMENSIONS



EPA: 2.1
 Weight: 450W: 24.7 lbs
 600W: 26.3 lbs

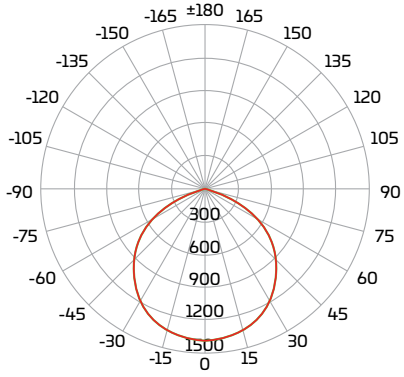
SIGNAL with optional SIG-Y and SIG-VISOR

AVAILABLE ACCESSORIES

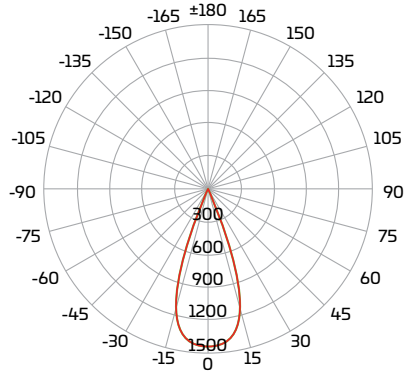
Order Code	Item #	Description
10188	SIG-LENS-PC30D	Signal Lens, 30°
10189	SIG-LENS-PC60D	Signal Lens, 60°
10190	SIG-REFLECTOR-AL90D	Signal Reflector, Aluminum, 90°
10187	SIG-SMK-BK	Signal Surface Mount Kit, Black
10185	SIG-VISOR-BK	Signal Visor, Black
10186	SIG-Y-BK	Signal Yoke Mounting Bracket, Black
10298	SIG-S-BK	Signal Slipfitter for up to 2-3/8" Pipe, Black



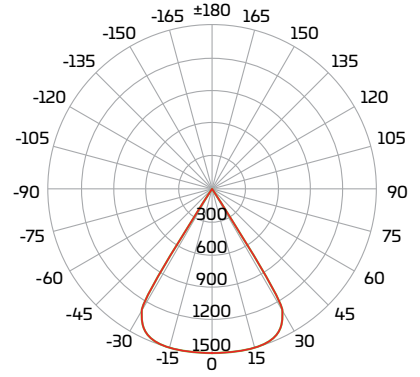
PHOTOMETRICS



**120° = Glass Lens
(Standard G option)**



30° = SIG-LENS-PC30D



60° = SIG-LENS-PC60D