

LED MR16 Dimmable : GU5.3 Base



2-8
watts

exceeds
40K
hours*

500
lumens

dimmable

Features

- Direct replacement for halogen miniature reflector lamps
- 25,000 hour rated life lasting 30x longer than halogen incandescent*
- Choice of 2700K, 3000K and 4000K color temperatures
- Available in two beam distributions: 20/25° Narrow Flood and 40° Flood
- Shatter-resistant for reduced risk of injury or breakage
- Contains no lead or mercury; RoHS compliant
- 5 year limited warranty
- 12V AC/DC



RoHS
Compliant



Performance

- MR16 replaces 42-50W MR16 Halogen
- Compatibility with a wide array of dimmers
- Operating temperature range from -40°F to 104°F (-40°C to 40°C)
- Not for use in enclosed fixtures
- Not for use with electronic timers, photocells, or motion/occupancy sensors
- Contains no mercury or lead; classified as non-hazardous waste

Applications

- Recessed / Track Lighting
- Property Management
- Accent / Display Lighting
- Retail / Residential
- Hospitality
- Houses of Worship
- Healthcare
- Task Lighting

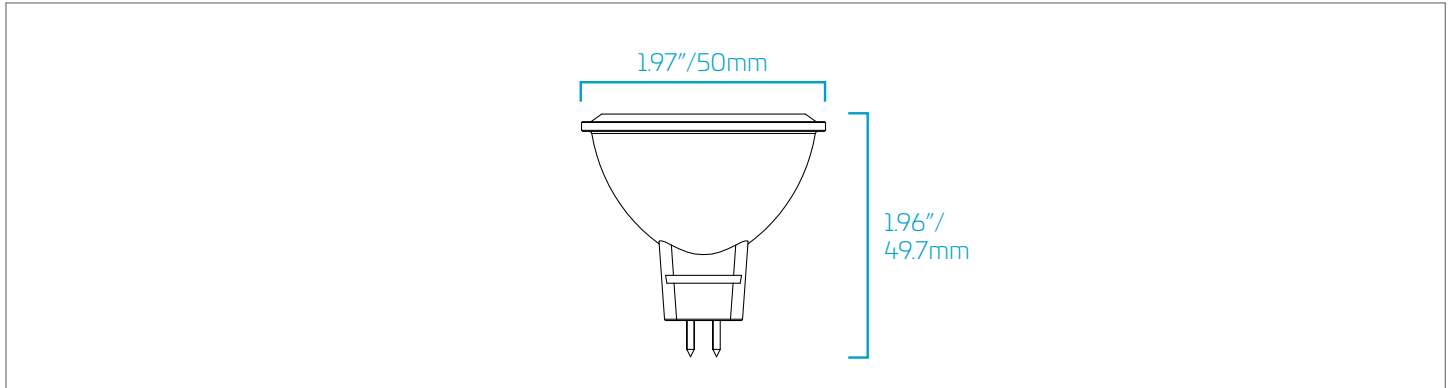
* Early initial qualification for ENERGY STAR allows for directional lamp life claims of 25,000 hours (L70) with 3,000 hour actual test data, LM80 data and in-situ temperature measurements. As the lamps pass ENERGY STAR requirements, manufacturers may increase the lifetime of a product as dictated by ENERGY STAR guidelines. See http://www.energystar.gov/index.cfm?fuseaction=products_for_partners.showLightbulbs for further details.

** Design life is based on engineering testing and probability analysis



LED MR16 Dimmable : GU5.3 Base

Dimensions



Ordering Information

Order Code	Item #	W	Lm	CCT	CRI	Bm	MOL	Life/Hrs*	Replaces Halogen	ES v2.0
09429	LED7WMR16/20/827-DIM-G7	7W	490	2700K	80+	20°	1.97"	25K	50W	★
09430	LED7WMR16/20/830-DIM-G7	7W	490	3000K	80+	20°	1.97"	25K	50W	★
09431	LED7WMR16/20/840-DIM-G7	7W	490	4000K	80+	20°	1.97"	25K	50W	★
09432	LED7WMR16/40/827-DIM-G7	7W	490	2700K	80+	40°	1.97"	25K	50W	★
09433	LED7WMR16/40/830-DIM-G7	7W	490	3000K	80+	40°	1.97"	25K	50W	★
09434	LED7WMR16/40/840-DIM-G7	7W	490	4000K	80+	40°	1.97"	25K	50W	★
09493	LED7WMR16/FL/827-DIM-G7	7W	500	2700K	80+	40°	1.97"	25K	50W	★
09494	LED7WMR16/FL/830-DIM-G7	7W	500	3000K	80+	40°	1.97"	25K	50W	★
09495	LED7WMR16/FL/840-DIM-G7	7W	500	4000K	80+	40°	1.97"	25K	50W	★
09543	LED7WMR16/NFL/827-DIM-G7	7W	500	2700K	80+	25°	1.97"	25K	50W	★
09544	LED7WMR16/NFL/830-DIM-G7	7W	500	3000K	80+	25°	1.97"	25K	50W	★
09545	LED7WMR16/NFL/840-DIM-G7	7W	500	4000K	80+	25°	1.97"	25K	50W	★

NOTE: Use order code when ordering. ****While supplies last.**
 * 25,000-40,000 hour ENERGY STAR® rated life. 50,000 hour design life. See note on obverse.

★ ENERGY STAR® Approved

watch > like > follow



23220 W. 84th St, Shawnee, KS 66227 · (P) 1.800.852.2217 · (F) 1.800.492.8975
 Canada: 81 King St, Barrie, ON L4N 6B5 · (P) 1.888.410.8151 · (F) 1.888.705.1335