

LED Elevator Lights



BA15s
base

BA15d
base

2.4-3
watts

20,000-
30,000
hours

125
lumens

70+
CRI

features

- 3W LED replacement lamp for elevators and other small applications
- Instant-on with no warm up
- Lasts 20x longer than incandescent for reduced replacement and maintenance costs
- Uses up to 90% less energy than incandescent or halogen
- Shatter-resistant for reduced risk of injury and breakage
- RoHS Compliant; Mercury and Lead-Free
- 3 year limited warranty

RoHS
Compliant

performance

- Long life: 20,000 hours
- 125 lumens
- 80+ CRI
- CCT: 3000K
- Non-dimmable
- Meets ANSI specifications
- Contains no mercury or lead; classified as non-hazardous waste

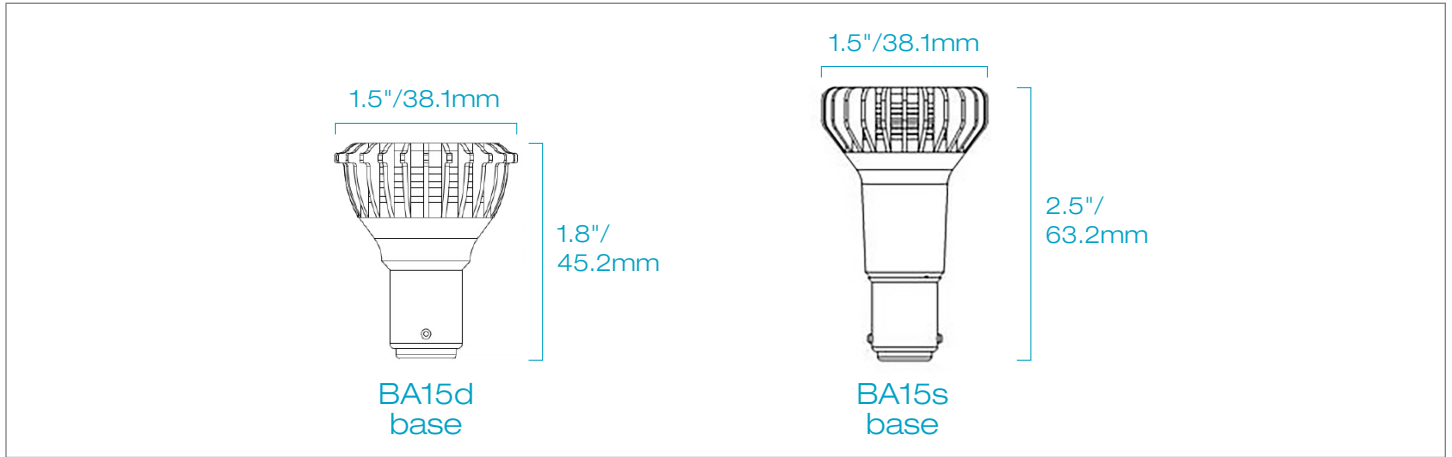
applications

- Elevators
- Property Management
- Hospitality
- Retail
- Aircraft
- Hospitals
- Office Lighting
- Shopping Malls
- Parking Garages



LED Elevator Lights

dimensions



ordering information

Order Code	Item #	W	Lm	CCT	CRI	Bm	MOL	Life/Hrs	Replaces Halogen
GBF non-dimmable BA15d base - 12V AC/DC									
08895	LED3WGBF/30/830-G5	3W	125	3000K	80+	30°	1.77"	20,000	20W GBF
08900	LED3WGBF/30/840-G5	3W	125	4000K	75+	30°	1.77"	20,000	20W GBF
1383 non-dimmable BA15s base - 12V AC/DC									
08896	LED3W1383/30/830-G5	3W	125	3000K	80+	30°	2.48"	20,000	20W 1383
08899	LED3W1383/30/840-G5	3W	125	4000K	75+	30°	2.48"	20,000	20W 1383
07797	LEDP-1383/30K**	2.4W	125	3000K	70+	30°	2.5"	30,000	20W 1383
07798	LEDP-1383/41K**	2.6W	125	4000K	70+	30°	2.5"	30,000	20W 1383

NOTE: use order code when ordering.

**While supplies last

watch > like > follow



