



DTD : LED DUSK TO DAWN

DESCRIPTION

A cost-effective, durable LED solution for area and general security lighting.

FEATURES

- 90% energy savings vs. traditional HID sources
- 13 years of maintenance-free operation with LED lifespan of 50,000 hours
- Instant-on with no warm-up, unlike HID
- Universal 120-277V photo control provides nighttime ON / daytime OFF
- Polyester powder coat gray finish for extra corrosion protection
- Suitable for wall or pole mount applications

LISTINGS

- UL Listed for wet locations
- DesignLights Consortium® Qualified - meets DLC requirements for efficacy and lumen maintenance
- IP65 Rated

PERFORMANCE

- Rated lifetime L70: 50,000 hours
- 5000K CCT
- CRI: 70/80+

ELECTRICAL

- DTD-95 and DTD-140 feature 10kV surge protection
- Input voltage: 120-277V
- 0-10V dimming
- Power Factor: >.9
- THD: <20%

THERMAL

- -40°F to 104°F (-40°C to 40°C) operating temperature

CONSTRUCTION

- Diecast aluminum housing
- Impact resistant, non-yellowing polycarbonate lens
- Includes separate galvanized steel mounting arm
- 2-3/8" mounting arm fitting

WARRANTY

- 5 year limited warranty; see eiko.com for warranty details

project name	type
catalog number	
comments	voltage
approved by	date



APPLICATIONS

- Farms / Barns
- Security
- Industrial Yards
- Building Perimeters
- Storage Sheds
- Entryways / Pathways
- Area Lighting



ORDERING INFORMATION

EXAMPLE: DTD-60/CO/850-DIM-GY-U

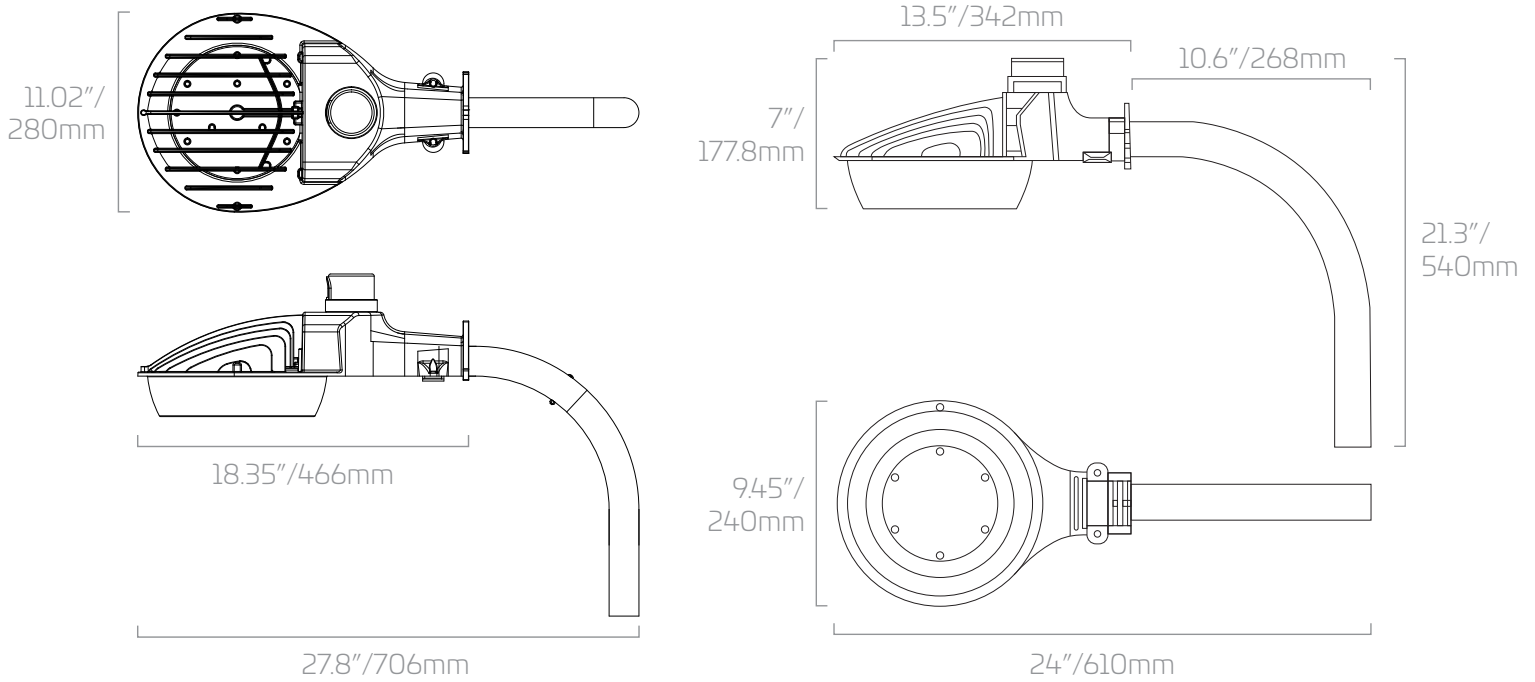
Model	Package	LPW	CRI/CCT	Dimming	Finish	Voltage
DTD : LED Dusk to Dawn	2C - 50W; 5,000 lm 95 - 79W; 9,500 lm 140 - 122W; 14,000 lm	CO - 120 lpw B5 - 115 lpw (Blank) - 100 lpw	50K/850 - 80 CRI; 5000K CCT	DIM /(Blank) - 0-10V Dimming	GY /(Blank) - Grey	U - 120-277V

PERFORMANCE SUMMARY

Order Code	Item #	Watts	Lumens	CCT	CRI	Volts	HID Equiv.	DLC
09579	DTD-2C-50K-U	50W	5,000	5000K	80+	120-277V	175-250W	✓
09964	DTD-95/CO/850-DIM-GY-U	79W	9,500	5000K	80+	120-277V		✓
09965	DTD-140/B5/850-DIM-GY-U	122W	14,000	5000K	80+	120-277V		✓

✓DesignLights Consortium® Qualified

DIMENSIONS



DTD-2C-50K-U

DTD-95/CO/850-DIM-GY-U
DTD-140/B5/850-DIM-GY-U

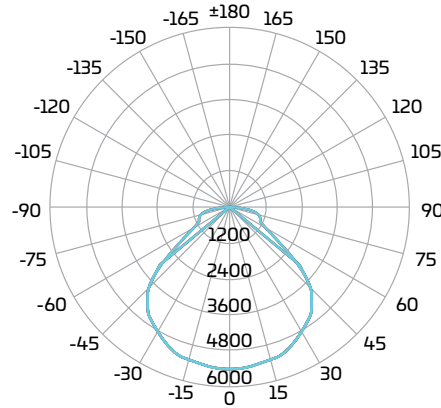
AVAILABLE ACCESSORIES

Order Code	Item #	Description
10040	PC1-4500	Shorting Plug 120-480V 15A 2-year Warranty
10042	PC1-4536P-U	Premium Photocell Twist-lock 120-277V 6A 8-year Warranty

PHOTOMETRICS

DTD-2C-50K-U

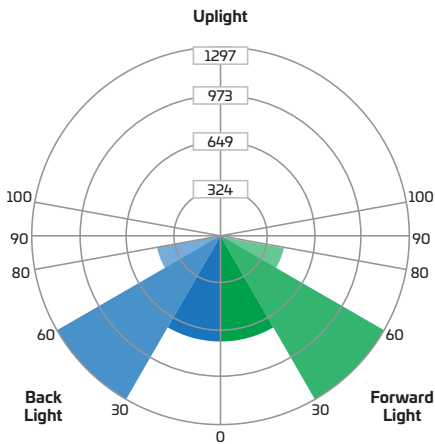
ZONAL LUMEN SUMMARY		
Zone	Lumens	%Fixture
0-30	715.7	14.2%
30-60	1281.8	25.4%
60-80	404.8	8.0%
80-90	82.9	1.6%
0-30	720.2	14.3%
30-60	1297.4	25.7%
60-80	412.6	8.2%
80-90	83.5	1.7%
90-100	23.5	0.5%
100-180	20.2	0.4%



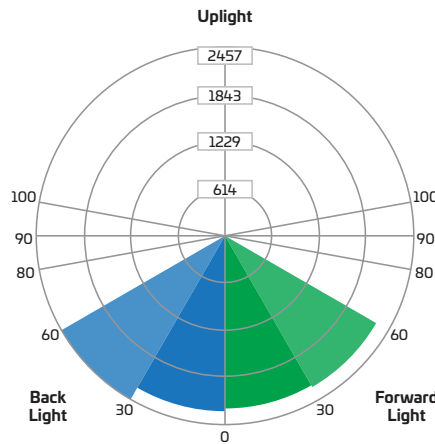
AVERAGE BEAM ANGLE (50%) : 103.4°

UNIT : cd | — CO-180, 103.7 — C60/240, 103.0
 — C30/210, 103.7 — C90/270, 103.0

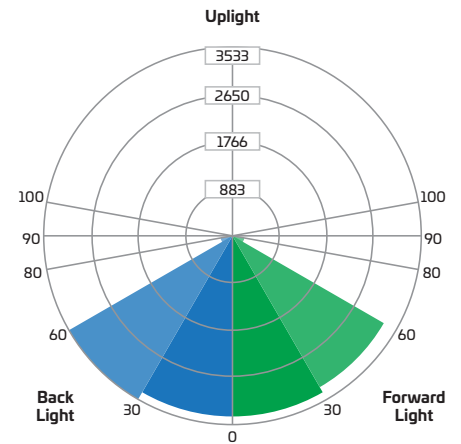
BUG RATINGS



DTD-2C-50K-U
B2-U2-G1



DTD-95/CO/850-DIM-GY-U
B3-U2-G1



DTD-140/B5/850-DIM-GY-U
G4-U2-G1

