



CMP-MR16/20W/NFL/830

CMP-MR16/20W/SP/830

CMP-MR16/39W/NFL/830

FEATURES

- Long Life reduces maintenance costs due to less frequent re-lamping
- Superior Lumen Maintenance
- Low color shift produces consistent color throughout the life of the lamp
- High CRI more accurately reproduces colors
- Shorter Warm-up & Hot Re-strike Time
- No Kr85 used to aid starting
- Superior Arc Tube Ceramics
- Heavy Gauge Glass, Metal and Connections

TYPICAL APPLICATIONS

- Stage Lighting
- Retail Displays
- Offices
- Hallways

OPTICAL PERFORMANCE

- 9,000 - 10,000 hour rated life
- CRI > +85
- Superior performance single-part arc tube for higher strength and efficiency
- Available in Narrow Flood and Spot

ELECTRICAL SPECIFICATIONS

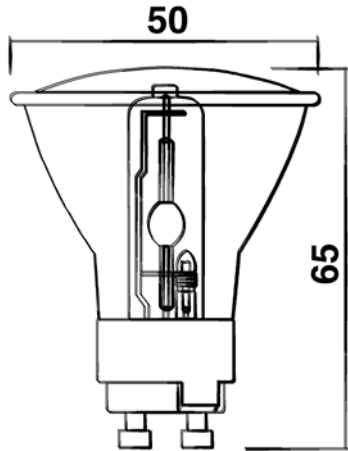
- 20W or 39W
- Gx10 Base

TESTS & CERTIFICATIONS

- RoHS Compliant



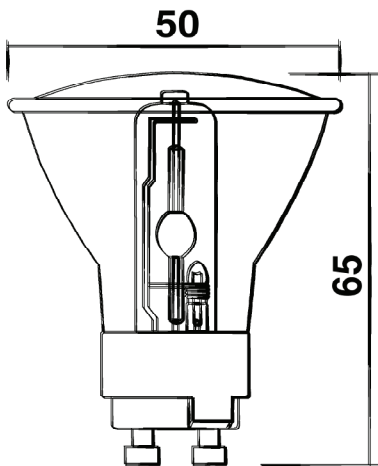
DIMENSIONAL DRAWINGS



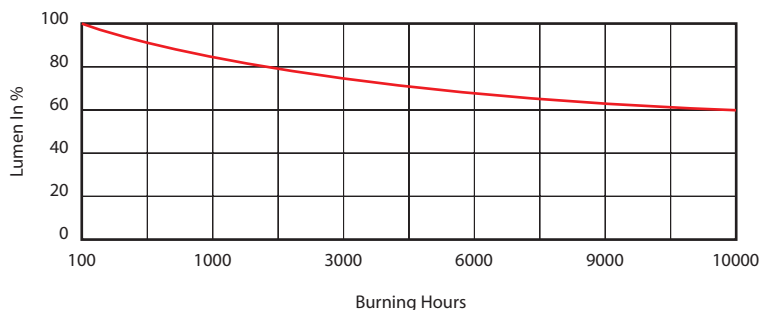
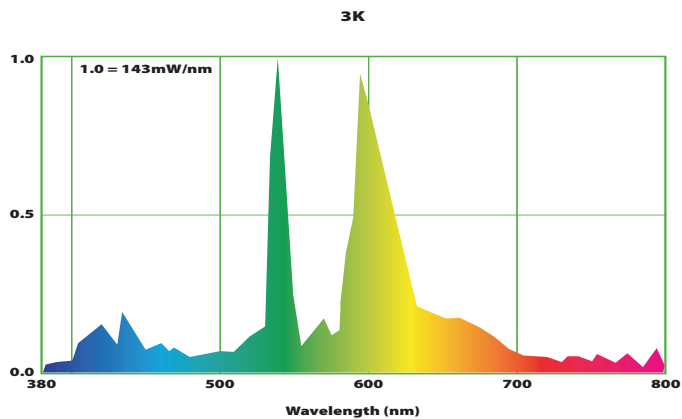
Ordering Code	Watts	Base	MOL	Life Hours	Approx Initial Lumens	Approx Mean Lumens	CT° K	CRI	Beam Angle	ANSI Ballast
CMP-MR16/20W/SP/830	20	GX10	2.56/65mm	9000	1200	900	3000	85+	12	M156/O
CMP-MR16/20W/NFL/830	20	GX10	2.56/65mm	9000	1200	900	3000	85+	25	M156/O
CMP-MR16/39W/NFL/830	35	GX10	2.56/65mm	10000	2100	1470	3000	85+	25	M130/O

MR16 COLORMASTER PRO™ CERAMIC METAL HALIDE

Appendix A – Line Drawings, Charts & Warnings



MR16 with GX10 Base



WARNING: This lamp can cause serious skin burn and eye inflammation from shortwave ultraviolet radiation if outer envelope of the lamp is broken or punctured. Do not use where people will remain for more than a few minutes unless adequate shielding or other safety precautions are used. Lamps that will automatically extinguish when the outer envelope is broken or punctured are commercially available.