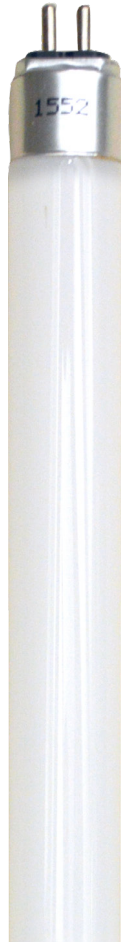


LED Bypass/Line Voltage T5HO Tube Lights : Double-Ended



4'
length

3,300-
3,500
lumens

132+
lpw

50K
hours

Features

- Solid state replacement for 4 ft. T5 linear fluorescent
- Double-end powered, operates on 120V-277V line voltage
- Frosted lens for uniform diffuse appearance
- No external ballast or driver required
- Ultra-high performance LEDs deliver 132 lpw
- Lifetime exceeds 50,000 hrs
- Up to 50% instant energy savings
- Choice of 3500K, 4000K, and 5000K CCT
- NSF listed for commercial foodservice equipment (universal voltage versions only)
- Existing fixture maintains original UL compliance per UL1598C listing
- Suitable for use in totally enclosed fixtures



Performance

- 4ft. 3,300lm @25W = 132lpw
- 4ft. 3,500lm @25W = 140+lpw
- Long life: 50,000 hours
- 80+ CRI
- Integral 120~277V drivers provide easy installation
- Wide ambient temperature range from -20°C (-4°F) to 45°C (113°F)
- Use with T5 lamp holders
- <20% Total Harmonic Distortion
- Non-dimmable
- Contains no mercury or lead; classified as non-hazardous waste

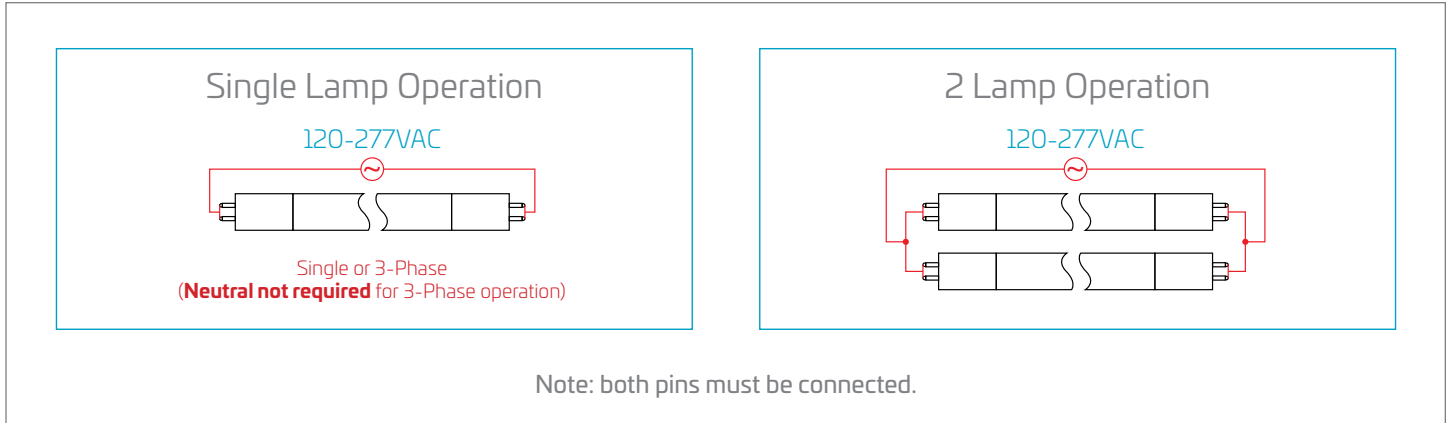
Applications

- Commercial
- Industrial
- Hospitality
- Education
- Healthcare
- Retail



LED Bypass/Line Voltage T5HO Tube Lights : Double-Ended

Wiring Diagram



Ordering Information

Order Code	Item #	Length	W	Lm	Lpw	CCT	CRI	Envelope	Life/Hrs	DLC
09949	LED25WT5HO/46/835-G8D	4'	25W	3,300	132	3500K	80+	Glass	50,000	✓
09947	LED25WT5HO/46/840-G8D	4'	25W	3,500	140	4000K	80+	Glass	50,000	✓
09948	LED25WT5HO/46/850-G8D	4'	25W	3,500	140	5000K	80+	Glass	50,000	✓
10047	LED25WT5HO/46/835-G8D-347V*	4'	25W	3,375	135	3500K	80+	Glass	50,000	✓
10048	LED25WT5HO/46/840-G8D-347V*	4'	25W	3,375	135	4000K	80+	Glass	50,000	✓
10049	LED25WT5HO/46/850-G8D-347V*	4'	25W	3,375	135	5000K	80+	Glass	50,000	✓

NOTE: Use order code when ordering.

*Canada only

✓ DesignLights Consortium® Qualified

NSF Certification



NSF offers the most accepted and trusted certification and verification programs for commercial foodservice equipment, specified by health departments, restaurant buyers and specifiers worldwide. NSF means market access – products with the NSF mark receive guaranteed regulatory acceptance in North America and improved acceptance worldwide. Verification programs, such as HACCP Compliance Verification - EU, demonstrate hygienic quality, independently verified by a trusted source.

watch > like > follow



LitespanLED® T5 Linear Bypass/Line Voltage - Double-Ended								
Ordering Code	Watts	Shape	Base	Lumens	MOL	MOD	Rated Life	Approvals
LED25WT5HO/46/835-G8D	25	T5	G5	3300	45.8/1163.2	0.76/19.2	50,000	cULus, DLC, NSF
LED25WT5HO/46/840-G8D	25	T5	G5	3500	45.8/1163.2	0.76/19.2	50,000	cULus, DLC, NSF
LED25WT5HO/46/850-G8D	25	T5	G5	3500	45.8/1163.2	0.76/19.2	50,000	cULus, DLC, NSF
LED25WT5HO/46/835-G8D-347V	25	T5	G5	3200	45.8/1163.2	0.83/21	50,000	cULus, DLC, NSF
LED25WT5HO/46/840-G8D-347V	25	T5	G5	3300	45.8/1163.2	0.83/21	50,000	cULus, DLC, NSF
LED25WT5HO/46/850-G8D-347V	25	T5	G5	3400	45.8/1163.2	0.83/21	50,000	cULus, DLC, NSF

NOTES:
