

LED HID Replacement : Area Light



80/100
watts

10.4K-
14.85K
lumens

130+
lpw

80+
CRI

Features

- Cost-effective solid state solution for area light applications, replacing high-wattage HID luminaires
- 130 lpw ultra-high efficiency delivers superior performance over legacy HID
- 180° beam angle; lamp body folds out to provide directional lighting
- Install into mogul socket, turn the rotatable lamp body to face desired area, and unfold lamp to fully illuminate desired area; see installation manual for additional details
- Ballast bypass; connects to line voltage
- Flame-retardant casing
- Instant-on with no warmup
- DLC Qualified
- 5 year warranty

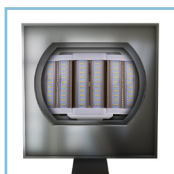
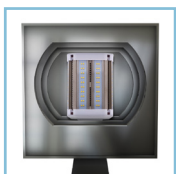


Performance

- 10,400 lumens @ 80W
- 14,300 lumens @ 110W
- CRI > 80
- 50,000 hours (L70) life
- 120-277V
- IP64 rated for wet locations
- -40°F to 140°F (-40°C to +60°C) operating temperature
- Power Factor: > 0.95
- THD < 20%
- EX39 base
- Suitable for use in enclosed fixtures
- Lamp must be operated in open configuration. Lamp will overheat if operated while folded closed
- Lamp support (included) required for use to properly support weight of lamp in fixture

Applications

- Parking Areas
- Automotive Dealerships
- Roadways
- Campuses
- Streetscapes
- Airports
- Area security lighting

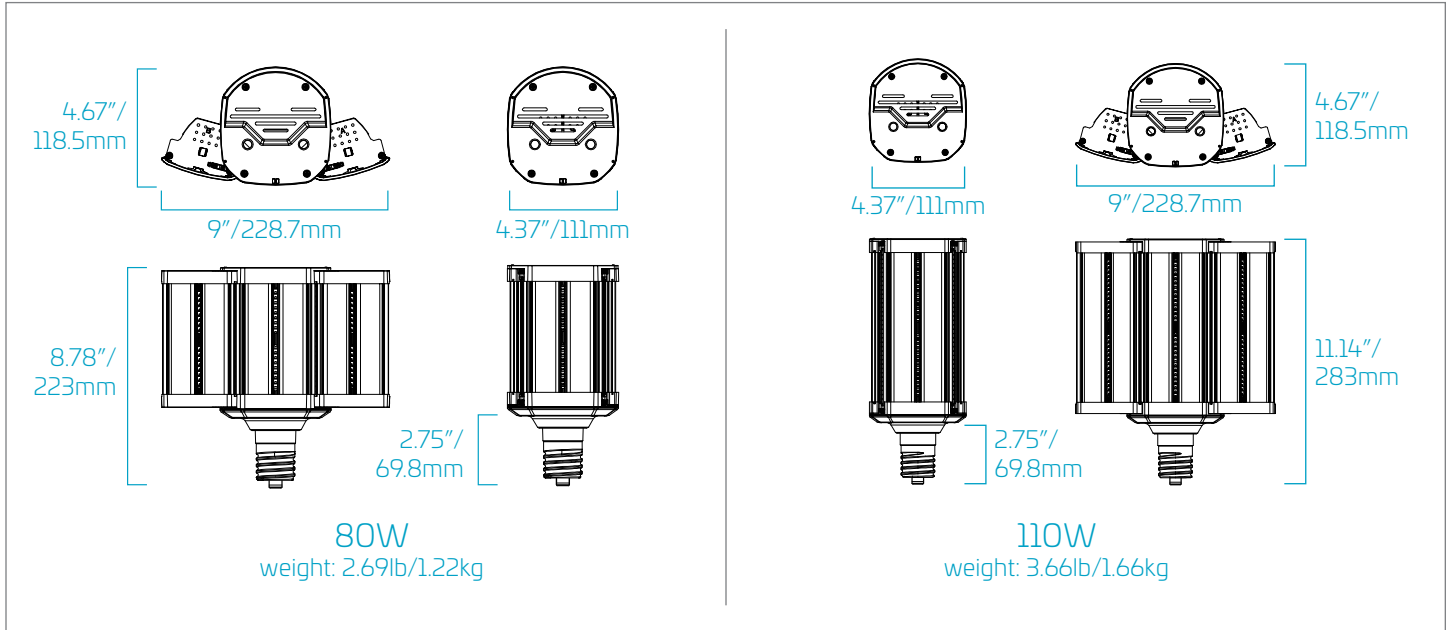


Expands to illuminate wide area



LED HID Replacement : Area Light

Dimensions



Ordering Information

| Order Code | Item # | Lm | W | CCT | CRI | Life/Hrs | Base | V | Replaces HID | DLC |
|--------------|--------------------|--------|-----|-------|-----|----------|------|----------|--------------|-----|
| 09643 | LED80WAL30KMOG-G7 | 10,400 | 80 | 3000K | 80+ | 50K | EX39 | 120-277V | 400W | ✓ |
| 09644 | LED80WAL40KMOG-G7 | 10,400 | 80 | 4000K | 80+ | 50K | EX39 | 120-277V | 400W | ✓ |
| 09645 | LED80WAL50KMOG-G7 | 10,800 | 80 | 5000K | 80+ | 50K | EX39 | 120-277V | 400W | ✓ |
| 09646 | LED110WAL30KMOG-G7 | 14,300 | 110 | 3000K | 80+ | 50K | EX39 | 120-277V | 600W | ✓ |
| 09647 | LED110WAL40KMOG-G7 | 14,300 | 110 | 4000K | 80+ | 50K | EX39 | 120-277V | 600W | ✓ |
| 09648 | LED110WAL50KMOG-G7 | 14,850 | 110 | 5000K | 80+ | 50K | EX39 | 120-277V | 600W | ✓ |

✓DesignLights Consortium® Qualified

watch > like > follow



23220 W. 84th St, Shawnee, KS 66227 · (P) 1.800.852.2217 · (F) 1.800.492.8975
 Canada: 81 King St, Barrie, ON L4N 6B5 · (P) 1.888.410.8151 · (F) 1.888.705.1335

