



BAY : LED BAY LIGHT ROUND

DESCRIPTION

- Cost-effective solid state solution for highbay applications, providing one-for-one replacement of high-wattage HID fixtures
- 125 lpw ultra-high efficiency delivers superior performance over legacy HID highbays
- Instant-on with no warmup
- Continuous dimming to 10%

LISTINGS

- UL Listed for wet locations
- IP65 Rated – protected from total dust ingress; protected from low-pressure water jets from any direction
- DesignLights Consortium® Qualified - meets DLC requirements for efficacy and lumen maintenance

PERFORMANCE

- Rated lifetime L70: 50,000 hours
- 4000K, 5000K CCT
- CRI: 80+
- 3C: 12,500lm @ 100W (125 lpw)
- 4C: 18,750lm @ 150W (125 lpw)
- 5C: 25,000lm @ 200W (125 lpw)

ELECTRICAL

- Input voltage: 100-277V, 200-480V
- Dimmable power supply (0-10V)
- Driver efficiency: >85%
- Power Factor: >.95
- THD: <20%

CONSTRUCTION

- Lightweight construction (8.6–10.8 lbs) allows for quick and easy installation
- Magnesium alloy heatsink for cooler operating temperatures
- 6' cord included
- -40°F to 122°F (-40°C to +50°C) operating temperature

WARRANTY

- 5 year limited warranty; see eiko.com for warranty details

project name	type
catalog number	
comments	voltage
approved by	date



BAY
(Shown with optional reflector)

APPLICATIONS

- Warehouses
- Manufacturing Plants
- Distribution Centers
- Grocery Stores
- Gymnasiums
- Indoor Recreational Facilities
- Cold Storage
- Big Box Retail
- Service Repair Centers



ORDERING INFORMATION

EXAMPLE: BAY-3C-50K-U

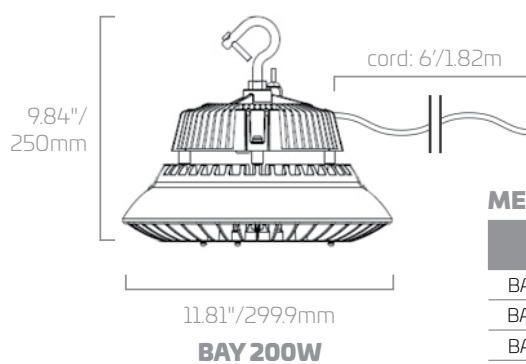
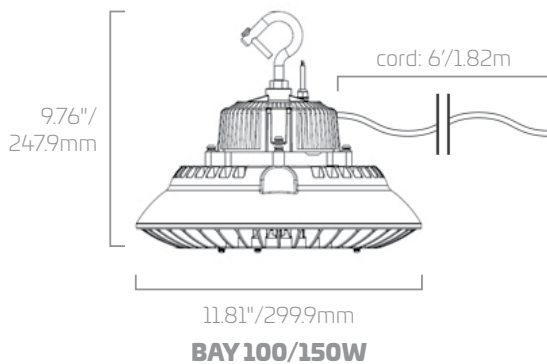
Model	Package	CCT	Voltage
BAY : LED Bay Light Round	3C - 100W; 12,500 lm 4C - 150W; 18,750 lm 5C - 200W; 25,000 lm	40K - 4000K 50K - 5000K	U - 100-277V V - 200-480V

PERFORMANCE SUMMARY

Order Code	Item #	Watts	Lumens	LPW	CCT	CRI	Dimming	Volts	DLC
09796	BAY-3C-40K-U	100W	12,500	125	4000K	80+	1-10V	100-277V	✓
09582	BAY-3C-50K-U	100W	12,500	125	5000K	80+	1-10V	100-277V	✓
09797	BAY-3C-40K-V	100W	12,500	125	4000K	80+	1-10V	200-480V	✓
09588	BAY-3C-50K-V	100W	12,500	125	5000K	80+	1-10V	200-480V	✓
09798	BAY-4C-40K-U	150W	18,750	125	4000K	80+	1-10V	100-277V	✓
09583	BAY-4C-50K-U	150W	18,750	125	5000K	80+	1-10V	100-277V	✓
09799	BAY-4C-40K-V	150W	18,750	125	4000K	80+	1-10V	200-480V	✓
09589	BAY-4C-50K-V	150W	18,750	125	5000K	80+	1-10V	200-480V	✓
09800	BAY-5C-40K-U	200W	25,000	125	4000K	80+	1-10V	100-277V	✓
09584	BAY-5C-50K-U	200W	25,000	125	5000K	80+	1-10V	100-277V	✓
09801	BAY-5C-40K-V	200W	25,000	125	4000K	80+	1-10V	200-480V	✓
09590	BAY-5C-50K-V	200W	25,000	125	5000K	80+	1-10V	200-480V	✓

✓DesignLights Consortium® Qualified

DIMENSIONS

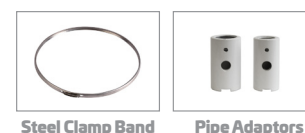


METRIC THREAD HOOK COMPATIBILITY

Item #	Metric Thread (EN 60423)	OD (mm)	Pitch (mm)
BAY-3C-xxK-x	M10	10	1.5
BAY-4C-xxK-x	M10	10	1.5
BAY-5C-xxK-x	M12	12	1.75

AVAILABLE ACCESSORIES

Order Code	Item #	Description
09914	BAY-REFLECTOR-CV16	16" Cloudveil™ Reflector
09915	BAY-REFLECTOR-CV22	22" Cloudveil™ Reflector
09585	BAY-REFLECTOR BT-AL-60D	60° Beam Aluminum Reflector
09586	BAY-REFLECTOR BT-AL-90D	90° Beam Aluminum Reflector
09587	BAY-REFLECTOR BT-PC-70D	70° Beam Polycarbonate Reflector
10387	BAY-REFLECTOR-AC16	Light Reflector Clear Acrylic
10382	BAY-CCL-16	16" Clear Conic Lens Acrylic
10384	BAY-CCL-22	22" Clear Conic Lens Acrylic
10383	BAY-CDL-16	16" Clear Drop Lens Acrylic
10385	BAY-CDL-22	22" Clear Drop Lens Acrylic
10386	BAY-CWB-16	16" Clear Wide Bay Lens Acrylic
10380	BAY-BAND-16	Stainless Steel Clamp Band, 16" Reflectors
10381	BAY-BAND-22	Stainless Steel Clamp Band, 22" Reflectors
09912	BAY-WG-AL	Wireguard, Aluminum Reflector
09913	BAY-WG-GL	Wireguard, Glass
09911	BAY-WG-PC	Wireguard, PC Reflector
09910	BAY-SEN-1A-KIT	Occupancy/Photocontrol Sensor Kit, Remote Controllable
10378	BAY-PA-1/2NPS-W	Pipe Adaptor 1/2" NPS White
10379	BAY-PA-3/4NPS-W	Pipe Adaptor 3/4" NPS White



REPLACEMENT CHART

Item #	Voltage	Watts	Lumens	Replaces HID Wattage	Replaces Fluor.	Ceiling Height	DLC
BAY-3C-XXK-U	90V-305V	100W	12,500	150W-175W	HBF 4 Lamp T8 and 4 Lamp T5	14' to 20'	Std.
BAY-3C-XXK-V	180V-528V	100W	12,500	150W-175W	HBF 4 Lamp T8 and 4 Lamp T5	14' to 20'	Std.
BAY-4C-XXK-U	90V-305V	150W	18,750	250W-320W	HBF 6 Lamp T8 and 4 Lamp T5	16' to 24'	Std.
BAY-4C-XXK-V	180V-528V	150W	18,750	250W-320W	HBF 6 Lamp T8 and 4 Lamp T5	16' to 24'	Std.
BAY-5C-XXK-U	90V-305V	200W	25,000	320W-400W	HBF 8 Lamp T8 and 6 Lamp T5 HO	20' to 24'	Std.
BAY-5C-XXK-V	249V-528V	200W	25,000	320W-400W	HBF 8 Lamp T8 and 6 Lamp T5 HO	20' to 24'	Std.

