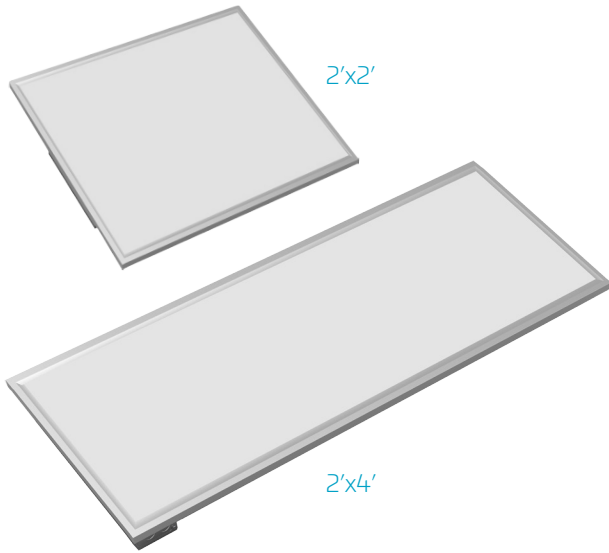


SLM : LED Slim Panel



project name	type
catalog number	
comments	voltage
approved by	date



Features

- Ultra slim modern design with smooth uniform light guide lens
- Edge-lit waveguide lens provides impressive visual comfort
- One for one alternative LED solution to fluorescent troffers
- High efficiency LEDs light the panel evenly
- Extremely shallow depth is ideal for shallow plenum spaces
- Up to 47% energy savings compared to traditional fluorescent troffers and 2½ times longer life
- Features pre-installed integral earthquake clips
- Universal input voltage (100-277V) dimmable power supply (0-10V)
- Available in 2'x2' and 2'x4'
- Fits standard T-bar and narrow grid drop ceilings
- 5 year limited warranty

Performance

- 2'x2': 3000lm @ 30W
- 2'x4': 4000lm @ 40W
- 50,000 hours (L70) life
- -4°F to 104°F (-20°C to +40°C) operating temperature
- UL listed for dry/damp locations
- 3500K, 4000K, 5000K CCT
- CRI: > 80
- Input voltage: 120-277V
- Power Factor: > 90
- THD < 15%

Applications

- Conference rooms
- Retail
- Offices
- Hospitality
- Healthcare
- Schools
- Reception areas
- Corridors
- Foyer

Ordering Information

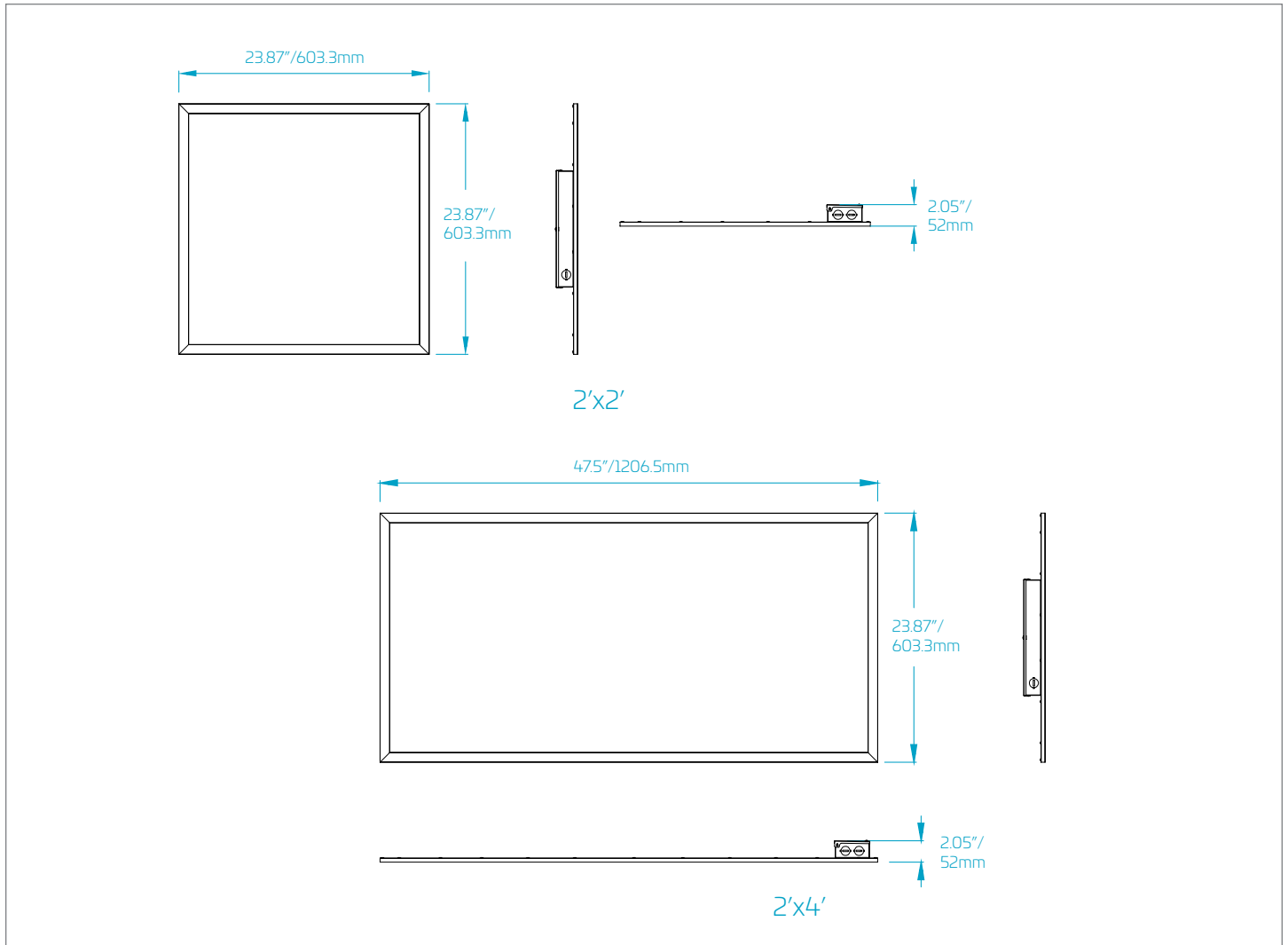
Order Code	Item #	Size	Lm	W	CCT	CRI	Life/Hrs	V	Dimming	Fluor Equivalent	DLC
09485	SLM22-3C-35K-U	2'x2'	3,000	30W	3500K	80+	50K	120-277V	0-10V Dimming	3x 17WT8, 2U31T8	✓
09486	SLM22-3C-40K-U	2'x2'	3,000	30W	4000K	80+	50K	120-277V	0-10V Dimming	3x 17WT8, 2U31T8	✓
09487	SLM22-3C-50K-U	2'x2'	3,000	30W	5000K	80+	50K	120-277V	0-10V Dimming	3x 17WT8, 2U31T8	✓
09488	SLM24-5C-35K-U	2'x4'	4,000	40W	3500K	80+	50K	120-277V	0-10V Dimming	2x 32T8, 3x 32T8	✓
09489	SLM24-5C-40K-U	2'x4'	4,000	40W	4000K	80+	50K	120-277V	0-10V Dimming	2x 32T8, 3x 32T8	✓
09490	SLM24-5C-50K-U	2'x4'	4,000	40W	5000K	80+	50K	120-277V	0-10V Dimming	2x 32T8, 3x 32T8	✓

✓ DesignLights Consortium® Qualified



SLM : LED Slim Panel

Dimensions



Accessories (Sold Separately)

Order Code	Litespan Part #	Description
	SLM22-CABLE	2*2 Cable Set, 4 Cables per Set
	SLM24-CABLE	2*4 Cable Set, 6 Cables per Set
	SLM22-SM	2*2 Surface Mount Kit White
	SLM24-SM	2*4 Surface Mount Kit White

watch > like > follow



