

# ASL - LED Area Site Lighter



ASL (shown w/ adjustable slipfitter mounting adder)

project name	type
catalog number	
comments	voltage
approved by	date

100/  
150  
watts

10,000-  
15,000  
lumens

100  
lpw

4000K/  
5000K  
CCT

## features

- Available in two outputs: 10,000lm (replaces 250W HID) and 15,000lm (replaces 400W HID)
- Replaces standard HID area light fixtures with 60% energy savings and 3X lifetime
- Rotatable glass optics provide flexibility of Type III or Type V beam distribution
- Choice of 4000K or 5000K color temperature
- Durable die cast aluminum housing with polyester powder coat bronze finish – standard
- Standard 1-10V Meanwell dimming driver
- Choice of 2-3/8" adjustable slipfitter, 6" or 10" square pole mounting arms available as adder

## performance

- Citizen 1208 COB LED Module
- UL and CUL listed for wet locations
- CRI > 70
- Power input: 120-277VAC 50/60Hz
- TGIC thermoset polyester powder paint finish
- Optional 347V step down transformer
- Suitable for ambient temperatures from -40°C to 40°C
- Five year limited warranty
- Effective Projected Area (EPA):  
EPA for base fixture: 1.82, 18.6 lbs  
EPA adder for slipfitter: 0.26, 2.4 lbs  
EPA adder for 6" arm: 0.28, 2.4 lbs  
EPA adder for 10" arm: 0.38, 3.6 lbs

## applications

- Parking Areas
- Automotive Dealerships
- Roadways
- Campuses
- Streetscapes
- Airports
- Area security lighting

## ordering information

**CITIZEN**



Order Code	Item #	Series	Configuration	CCT	Finish	Voltage	HID Equivalent
09273	ASL-3C-40K-U	ASL - Area Site Lighter	3C - (100W/10,000LM)	40K - 4000K	Bronze	U - 120-277V	250W
09275	ASL-5C-40K-U	ASL - Area Site Lighter	5C - (150W/15,000LM)	40K - 4000K	Bronze	U - 120-277V	400W
09274	ASL-3C-50K-U	ASL - Area Site Lighter	3C - (100W/10,000LM)	50K - 5000K	Bronze	U - 120-277V	250W
09276	ASL-5C-50K-U	ASL - Area Site Lighter	5C - (150W/15,000LM)	50K - 5000K	Bronze	U - 120-277V	400W

✓ DesignLights Consortium™ Qualified

NOTE: Use order code when ordering.

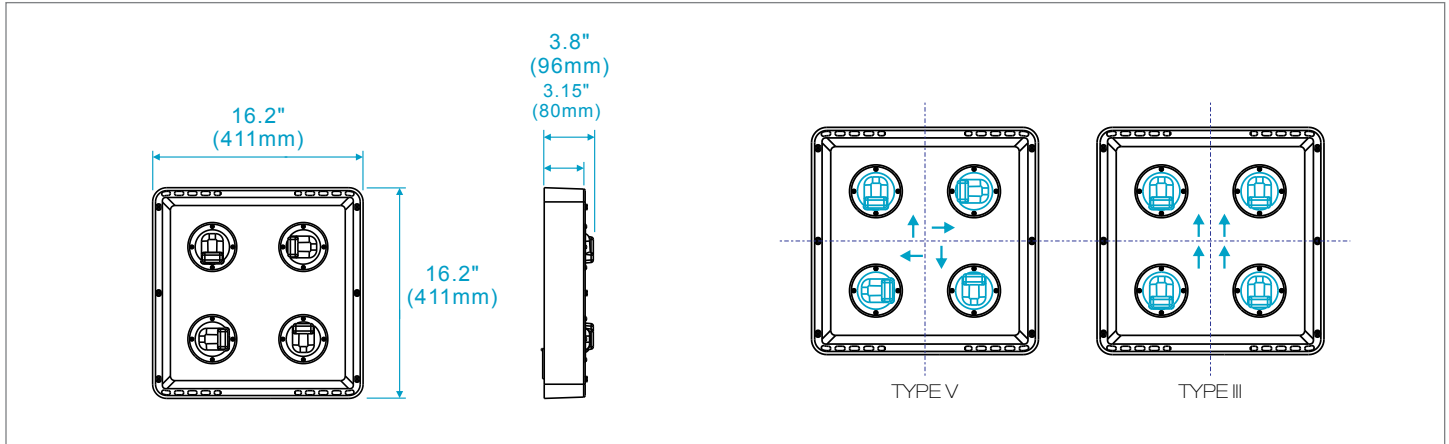
## accessories (sold separately; field installed)

Order Code	Item #	Series
09299	ASL-SF	Slipfitter 2-3/8" Ø I.D. Adjustable bronze
09300	ASL-PM6	Pole Mount Arm, square 6" bronze
09301	ASL-PM10	Pole Mount Arm, square 10" bronze
09330	AL-125W-347T	347V AFL Low Power Step Down Transformer (for fixtures up to 125W)
09289	AL-245W-347T	347V AFL Higher Power Step Down Transformer (for fixtures up to 245W)

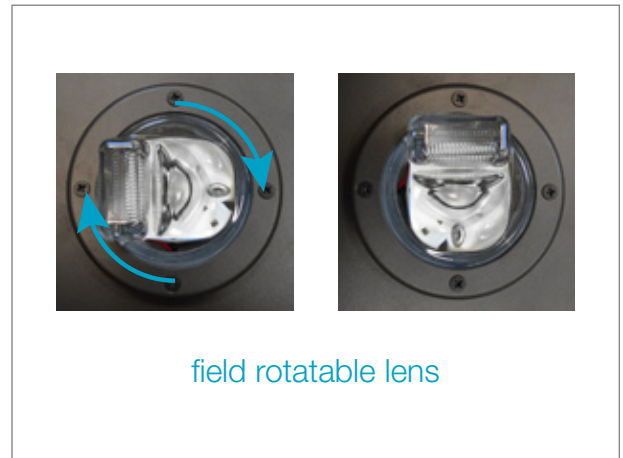


# ASL - LED Area Site Lighter

## dimensions



## optional mounting systems (sold separately)



watch > like > follow



