



VTS : LED VAPOR TIGHT SURFACE

DESCRIPTION

- Cost effective solid state LED solution for utility lighting applications replacing fluorescent luminaires
- >110 lpw ultra-high efficiency delivers superior performance
- Universal 120-277V operation
- 0-10V dimming control
- Includes surface mount hardware, v-hooks for hanging and cable gland for sealing power cable entry
- Includes multiple knockouts for pendant and conduit mounting

LISTINGS

- UL Listed for wet locations
- IP65 Rated
- DesignLights Consortium® Premium Qualified - meets the requirements for the highest DLC qualification for efficacy and lumen maintenance

LED CHARACTERISTICS

- Rated lifetime L70: 50,000 hours
- 4000K, 5000K CCT
- CRI: 80+

ELECTRICAL

- Input voltage: 120-277V
- Dimmable power supply (0-10V)
- Power Factor: >.90
- THD: <20%
- Driver Efficiency: >85%

CONSTRUCTION

- Durable polycarbonate lens and housing for demanding environments
- -22°F to 122°F (-30°C to 50°C) operating temperature

WARRANTY

- 5 year limited warranty; see eiko.com for warranty details

| | |
|----------------|---------|
| project name | type |
| catalog number | |
| comments | voltage |
| approved by | date |



APPLICATIONS

- Parking Garage
- Utility Lighting
- Stairwells
- Warehouses
- Industrial/Commercial
- Low Bay
- Walkways
- Eaves
- Canopies



ORDERING INFORMATION

EXAMPLE: VTS-5CP-40K-U

| Model | Package | CCT | Voltage |
|-------------------------------|--|--------------------|---------------------|
| VTS : LED Vapor Tight Surface | 4CS - 40W; 4,400 lm 5CP - 40W; 5,200 lm 7CP - 52W; 6,760 lm 7CS - 65W; 7,150 lm | 40K - 4000K | U - 120-277V |

EXAMPLE: VTS-4-45/B0/850-DIM-U

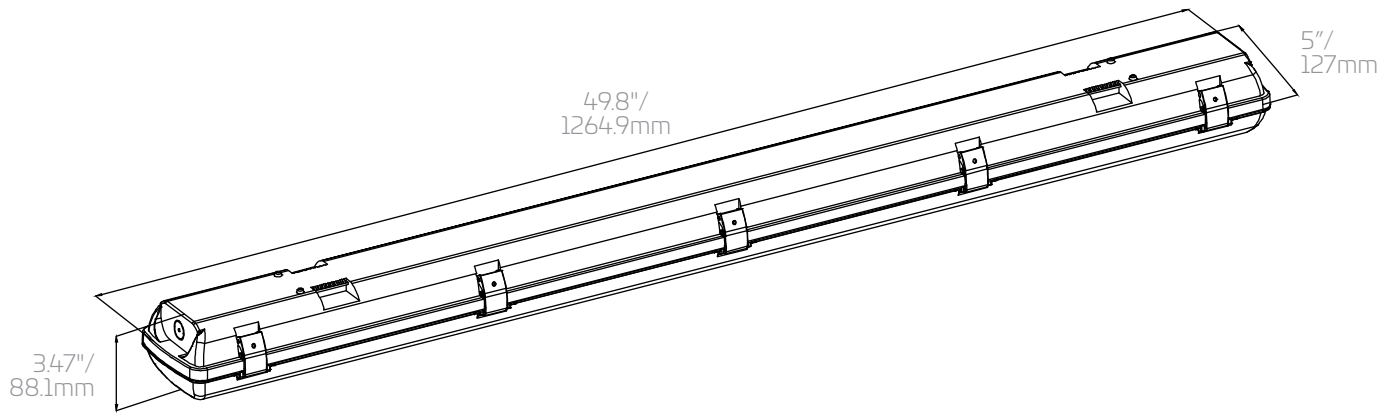
| Model | Length | Package | Efficacy | CCT/CRI | Voltage |
|-------------------------------|---------------|--|---|----------------------------|---------------------|
| VTS : LED Vapor Tight Surface | 4 - 4' | 45 - 40W; 4,500 lm 52 - 40W; 5,200 lm 68 - 52W; 6,800 lm 75 - 65W; 7,500 lm | B0 - 110 lpw D0 - 130 lpw B5 - 115 lpw | 850 - 80 CRI; 5000K | U - 120-277V |

PERFORMANCE SUMMARY

| Order Code | Item # | Watts | Lumens | CCT | CRI | Volts | Dimming | DLC |
|------------|-----------------------|-------|--------|-------|-----|----------|---------|-----|
| 09714 | VTS-4CS-40K-U | 40W | 4,400 | 4000K | 80+ | 120-277V | 0-10V | ✓ |
| 09979 | VTS-4-45/B0/850-DIM-U | 40W | 4,500 | 5000K | 80+ | 120-277V | 0-10V | ✓ |
| 09712 | VTS-5CP-40K-U | 40W | 5,200 | 4000K | 80+ | 120-277V | 0-10V | ✓✓ |
| 09977 | VTS-4-52/D0/850-DIM-U | 40W | 5,200 | 5000K | 80+ | 120-277V | 0-10V | ✓✓ |
| 09713 | VTS-7CP-40K-U | 52W | 6,760 | 4000K | 80+ | 120-277V | 0-10V | ✓✓ |
| 09978 | VTS-4-68/D0/850-DIM-U | 52W | 6,800 | 5000K | 80+ | 120-277V | 0-10V | ✓✓ |
| 09715 | VTS-7CS-40K-U | 65W | 7,150 | 4000K | 80+ | 120-277V | 0-10V | ✓ |
| 09980 | VTS-4-75/B5/850-DIM-U | 65W | 7,500 | 5000K | 80+ | 120-277V | 0-10V | ✓ |

✓ DesignLights Consortium® Qualified ✓✓ DesignLights Consortium® Premium Qualified

DIMENSIONS



AVAILABLE ACCESSORIES

| Order Code | Item # | Description |
|------------|------------------|---|
| 09849 | FHSCP-UNV-5WL | 5W Emergency Battery Backup |
| 09851 | FHSCP-UNV-7.8WL | 7.8W Emergency Battery Backup |
| 09850 | FHSCP-UNV-10.7WL | 10.7W Emergency Battery Backup |
| 09852 | FHSCP-UNV-13.7WL | 13.7W Emergency Battery Backup |
| 09854 | FHSCP-UNV-17WL | 17W Emergency Battery Backup |
| 09966 | PC1-4036-U | Photocell, Flush Mount, 120-277V |
| 09967 | PC1-4136-U | Photocell, Stem Mount, Side Lens, 120-277V |
| 09968 | PC1-4236-U | Photocell, Stem Swivel Mount, Side Lens, 120-277V |
| 09969 | PC1-4736-U | Photocell, Stem Swivel Mount, Top Lens, 120-277V |
| 09890 | SEN-3A-KO | Sensor, PIR OCC/PC, On/Off, IP66, High Bay Lens, ½ Inch Knock Out Mount |
| 09908 | SEN-S1A-KO | Sensor, OCC/PC/RC, IP65, 1/2" knockout mount, remote controllable |
| 09909 | SEN-S1-RC | Remote Control for S1A Sensors |

